

ROTTLER

Unipilot[®]
ROTTLER TOOLING

Cabide Centralizing Pilot Catalog



ORDERING PROCEDURE

Contact your regional Rottler sales rep for assistance in ordering optional equipment, replacement parts, or tooling.

If you are unable to contact your regional Rottler sales rep, call the factory at 253-872-7050 and ask to speak to the parts sales specialist.

Have the following information handy to expedite the ordering process:

1. Your name, business name, and contact number
2. Customer number
3. If you don't have a customer number, your billing address
4. Shipping address if different from billing address
5. Machine model and serial number
6. Part number and description of what you want to order
7. Preferred method of shipment

You may also contact us via e-mail with the above information. Send e-mail requests to:
parts@rottermfg.com

In some cases you may be requested to send a photo of the part you are ordering if it is a replacement part, or doesn't appear in the database.

If you are unsure which part you need to order, contact our service department and ask to speak to one of our service consultants. They will assist you in determining which part you require.

THERE IS A MINIMUM ORDER OF \$25.00



Contents

Choosing a Pilot 1

Pilot Diameter 1

Shank Diameter 1

Extended Length (EL) Pilots..... 1

Reading Rottler Part Numbers: 2

Modular Carbide Centralizing Pilot System 3

FCM20EL380 3

FCMSUXXX..... 3

FCMSLXXX..... 3

Checking Procedure..... 4

Suggested Carbide Pilots 5

UNIPILOT MINI Carbide Pilots with 6.00mm (.236”) Shank Diameter for Fixed Pilot Application 5

Inch Automotive UNIPILOT Carbide Pilots UCP .375" (9.52mm) Shank Diameter 5

Metric Automotive UNIPILOT Carbide Pilots UCP .375" (9.52mm) Shank Diameter 5

Diesel UNIPILOT Carbide Pilots UCP .375" (9.52mm) Shank Diameter 6

Harley-Davidon Pilots UNIPILOT Carbide Pilots UCP .375" (9.52mm) Shank Diameter 6

Pilots by Shank Diameter 7

6.00mm (.236”) Shank Diameter Solid Carbide Pilots..... 7

.375" (9.52mm) Shank Diameter Solid Carbide Pilots 8

Pilots for Large Cylinder Heads 20.00mm (.7874”) Shank Diameter 25

Pilots for Large Cylinder Heads 20.00mm (.7874”) Shank Diameter 26

Steel Pilots for Large Cylinder Heads 20.00mm (.7874”) Shank Diameter..... 26

Modular Pilot Upper (Tapered) Sleeve..... 26

Modular Pilot Upper (Tapered) Sleeve 27

Modular Pilot Lower (Straight) Sleeve..... 27

Special Pilot Order Form 28

Choosing a Pilot

Rottler UNIPILOT Solid Carbide Centralizing Pilots are manufactured from fine grain, sintered tungsten carbide and are ground to a very high degree of accuracy, straightness, and surface finish. They are designed for a lifetime of precision machining.

Pilot Diameter

The straight/parallel part of the pilot that fits in to the valve guide is referred to as the pilot diameter. Rottler pilots are available in 0.01mm (0.0004") increments. For best results, the clearance between the pilot and valve guide should not be more than 0.01mm (0.0004")

Most new valve guides are manufactured to a nominal size and the valve stem diameters are manufactured to be smaller than the nominal size to allow clearance for heat expansion of the valve stem when the engine is operating. For example: a 7mm valve guide has an internal diameter of exactly 7.00mm (.2756") The valve stem diameter of the intake valve is 6.98mm (.2748") and the exhaust is 6.96mm (.2740"). In order for the pilot to fit most of the valve guides, the first choice could be UCP0699 to give .01mm (0.0004") clearance. If the valve guide is used and has some wear, then the second choice of pilot could be UCP0700 (0.2756").

Shank Diameter

The part of the pilot that fits inside the tool holder is referred to as the shank. Rottler offers three different shank sizes (6.00mm, 9.52mm, and 20.00mm). For longest tool life and best seat cutting results, the shank needs to go as far as possible inside the tool holder when cutting valve seats or boring out valve seat housings.

Extended Length (EL) Pilots

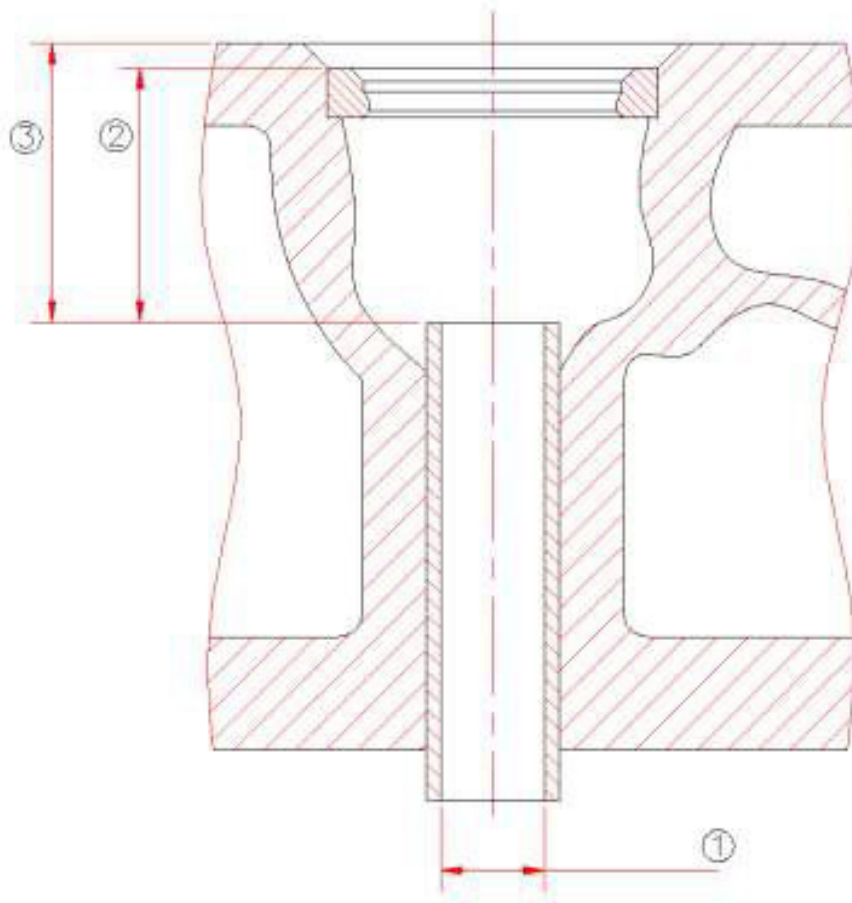
Some cylinder heads require extended length pilots because the distance from the top of the valve guide to the head gasket surface is longer than normal. Normally this distance is about 1.0" - 1.5", it is when this distance becomes greater that extended length pilots are needed. The pilots are extended by adding material below the shank and above the tapered section of the pilot.

If you think you need an extended length pilot, please see the order form in the back of the catalog and contact Rottler for ordering assistance.



PILOT DIAMETER SHOULD ALWAYS BE GREATER THAN VALVE STEM DIAMETER FOR BEST CONCENTRICITY

Below is a picture that shows the only measurements you need to consider when selecting a pilot.



- 1 – Guide Internal Diameter
- 2 – Distance from Top of Guide to Top of Seat
- 3 – Distance from Top of Guide to Top of Gasket Surface

Reading Rottler Part Numbers:

UCPM0000 has a pilot diameter of 00.00mm and shank diameter of 6.00mm (.236"). Pilots that have part numbers beginning with UCPM are for SG7 and SG8 machines ONLY!

UCP0000 has a pilot diameter of 00.00mm and shank diameter of 9.52mm (.375")

UCP0000EL0 has a pilot diameter of 00.00mm, shank diameter of 9.52mm (.375"), and overall length of 0"

UCP000EL0020 has a pilot diameter of .000", shank diameter of 20.00mm (.7874"), and an overall length of 00"

Modular Carbide Centralizing Pilot System

for Valve Guides Over 0.875" (22.23mm)

Rottler also offers a modular carbide centralizing pilot system for very large engine applications. This system is versatile because it allows you to use different size sleeves, which are adjustable for different lengths, for different applications while using only one pilot. These sleeves are MADE TO ORDER. Contact Rottler for more information and ordering assistance.



FCM20EL380

Modular Carbide Centralizing Pilot for Valve Guides Over 0.875" (22.23mm). Requires a set of Interchangeable Sleeves (FCMSLXXX & FCMSUXXX) - 20mmShank Pilot

FCMSUXXX

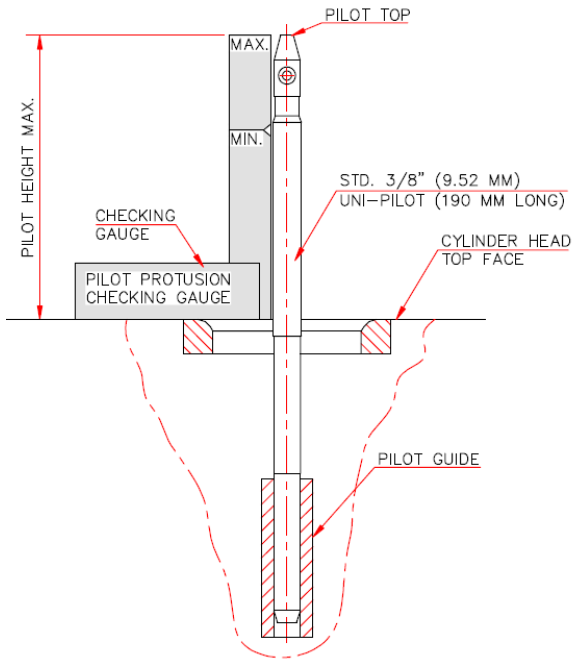
Modular Pilot Upper (Tapered) Sleeve - Hardened and Heat Treated - For .XXX" (XX.XXmm) Guide ID

FCMSLXXX

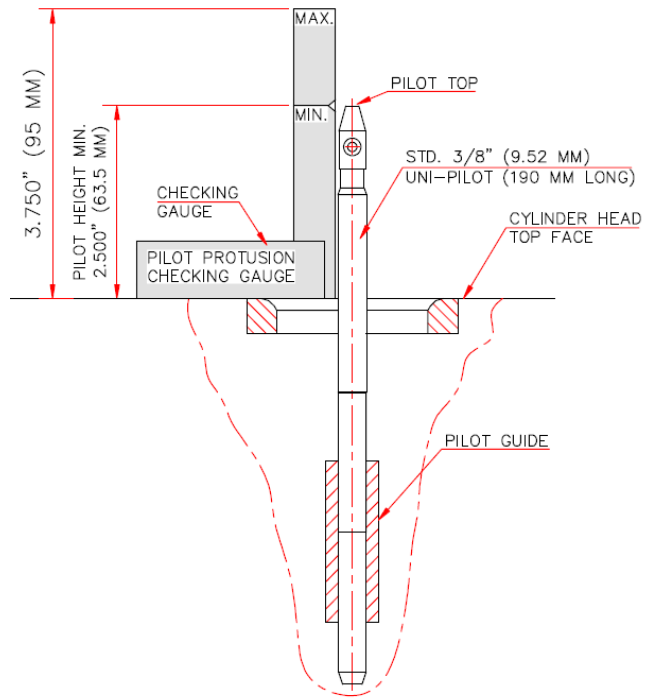
Modular Pilot Lower (Straight) Sleeve - Hardened and Heat Treated - For .XXX" (XX.XXmm Guide ID - 3.0"

Checking Procedure

Insert Standard 3/8" (9.52mm) Shank diameter UNI-PILOT in the cylinder head valve guide.
Place checking gauge along pilot section that is exposed above cylinder head surface.
If pilot top is within Min & Max range of the gauge, then you may proceed with machining seat.
If pilot top is above Max range on gauge a smaller diameter pilot must be used.
If pilot top is below Min range mark on gauge a larger pilot must be used.
Checking Working Range of UNI-PILOT



Pilot Height OK



Pilot Height Out of Range



Suggested Carbide Pilots**UNIPILOT MINI Carbide Pilots with 6.00mm (.236") Shank Diameter for Fixed Pilot Application**

UCPM-MINI UNIPILOT Carbide Pilots with 6.00mm Shank Diameter / 5.700" long range from 3.50mm up to 7.00mm to be used on BH600-R1 Tool Holder and TH1999 Tip Holder for Fixed Pilot Application

PART # Inch Automotive UNIPILOT Carbide Pilots UCP .375" (9.52mm) Shank Diameter

UCP0699	6.99mm .2752" UNIPILOT Carbide Pilot .375" (9.52mm) Shank diameter
UCP0700	7.00mm .2756" UNIPILOT Carbide Pilot .375" (9.52mm) Shank diameter
UCP0795	7.95mm .3130" UNIPILOT Carbide Pilot .375" (9.52mm) Shank diameter
UCP0796	7.96mm .3134" UNIPILOT Carbide Pilot .375" (9.52mm) Shank diameter
UCP0798	7.98mm .3142" UNIPILOT Carbide Pilot .375" (9.52mm) Shank diameter
UCP0799	7.99mm .3146" UNIPILOT Carbide Pilot .375" (9.52mm) Shank diameter
UCP0800	8.00mm .3150" UNIPILOT Carbide Pilot .375" (9.52mm) Shank diameter
UCP0870	8.70mm .3425" UNIPILOT Carbide Pilot .375" (9.52mm) Shank diameter
UCP0871	8.71mm .3429" UNIPILOT Carbide Pilot .375" (9.52mm) Shank diameter
UCP0947	9.47mm .3728" UNIPILOT Carbide Pilot .375" (9.52mm) Shank diameter
UCP0948	9.48mm .3732" UNIPILOT Carbide Pilot .375" (9.52mm) Shank diameter
UCP0949	9.49mm .3736" UNIPILOT Carbide Pilot .375" (9.52mm) Shank diameter

PART # Metric Automotive UNIPILOT Carbide Pilots UCP .375" (9.52mm) Shank Diameter

UCP0599	5.99mm .2358" UNIPILOT Carbide Pilot .375" (9.52mm) Shank diameter
UCP0600	6.00mm .2363" UNIPILOT Carbide Pilot .375" (9.52mm) Shank diameter
UCP0659	6.59mm .2594" UNIPILOT Carbide Pilot .375" (9.52mm) Shank diameter
UCP0660	6.60mm .2598" UNIPILOT Carbide Pilot .375" (9.52mm) Shank diameter
UCP0699	6.99mm .2752" UNIPILOT Carbide Pilot .375" (9.52mm) Shank diameter
UCP0700	7.00mm .2756" UNIPILOT Carbide Pilot .375" (9.52mm) Shank diameter
UCP0702	7.02mm .2764" UNIPILOT Carbide Pilot .375" (9.52mm) Shank diameter
UCP0799	7.99mm .3146" UNIPILOT Carbide Pilot .375" (9.52mm) Shank diameter
UCP0800	8.00mm .3150" UNIPILOT Carbide Pilot .375" (9.52mm) Shank diameter
UCP0802	8.02mm .3157" UNIPILOT Carbide Pilot .375" (9.52mm) Shank diameter
UCP0803	8.03mm .3161" UNIPILOT Carbide Pilot .375" (9.52mm) Shank diameter
UCP0898	8.98mm .3535" UNIPILOT Carbide Pilot .375" (9.52mm) Shank diameter
UCP0997	9.97mm .3925" UNIPILOT Carbide Pilot .375" (9.52mm) Shank diameter



PART #	Diesel UNIPILOT Carbide Pilots UCP .375" (9.52mm) Shank Diameter
UCP0634	6.34mm .2496" UNIPILOT Carbide Pilot .375" (9.52mm) Shank diameter
UCP0636	6.36mm .2504" UNIPILOT Carbide Pilot .375" (9.52mm) Shank diameter
UCP0878EL9	8.78mm .3457" UNIPILOT Carbide Pilot .375" (9.52mm) Shank diameter (9.00" extended length) Detroit 60
UCP0876EL9	8.76mm .3449" UNIPILOT Carbide Pilot .375" (9.52mm) Shank diameter (9.00" extended length) Detroit 60 Series
UCP0877EL9	8.77mm .3453" UNIPILOT Carbide Pilot .375" (9.52mm) Shank diameter (9.00" extended length) Detroit 60 Series
UCP0925EL9	9.25mm .3645" UNIPILOT Carbide Pilot .375" (9.52mm) Shank Diameter (9.00" extended length) Waukesha Cylinder heads
UCP0926EL9	9.26mm .3648" UNIPILOT Carbide Pilot .375" (9.52mm) Shank Diameter (9.00" extended length) Waukesha Cylinder heads
UCP0947EL9	9.47mm .3728" UNIPILOT Carbide Pilot .375" (9.52mm) Shank diameter (9.00" extended length) CAT 3500
UCP0948EL9	9.48mm .3732" UNIPILOT Carbide Pilot .375" (9.52mm) Shank diameter (9.00" extended length) CAT 3500
UCP0949EL9	9.49mm .3736" UNIPILOT Carbide Pilot .375" (9.52mm) Shank diameter (9.00" extended length) CAT 3500
UCP0950EL9	9.50mm .3740" UNIPILOT Carbide Pilot .375" (9.52mm) Shank diameter (9.00" extended length) CAT 3500
UCP0951EL9	9.51mm .3744" UNIPILOT Carbide Pilot .375" (9.52mm) Shank diameter (9.00" extended length) CAT 3500
UCP1108	11.08mm .4362" UNIPILOT Carbide Pilot .375" (9.52mm) Shank diameter
UCP1110	11.10mm .4370" UNIPILOT Carbide Pilot .375" (9.52mm) Shank diameter
UCP1147	11.47mm .4516" UNIPILOT Carbide Pilot .375" (9.52mm) Shank diameter
UCP1149	11.49mm .4524" UNIPILOT Carbide Pilot .375" (9.52mm) Shank diameter
UCP1268	12.68mm .4992" UNIPILOT Carbide Pilot .375" (9.52mm) Shank diameter
UCP1270	12.70mm .5000" UNIPILOT Carbide Pilot .375" (9.52mm) Shank diameter

PART #	Harley-Davidon Pilots UNIPILOT Carbide Pilots UCP .375" (9.52mm) Shank Diameter
UCP0789	7.89mm .3106" UNIPILOT Carbide Pilot .375" (9.52mm) Shank diameter
UCP0790	7.90mm .3110" UNIPILOT Carbide Pilot .375" (9.52mm) Shank diameter
UCP0792	7.92mm .3118" UNIPILOT Carbide Pilot .375" (9.52mm) Shank diameter
UCP0867	8.67mm .3413" UNIPILOT Carbide Pilot .375" (9.52mm) Shank diameter
UCP0869	8.69mm .3421" UNIPILOT Carbide Pilot .375" (9.52mm) Shank diameter
UCP0871	8.71mm .3429" UNIPILOT Carbide Pilot .375" (9.52mm) Shank diameter
UCP0955	9.55mm .3760" UNIPILOT Carbide Pilot .375" (9.52mm) Shank diameter
UCP0957	9.57mm .3768" UNIPILOT Carbide Pilot .375" (9.52mm) Shank diameter
UCP0959	9.59mm .3776" UNIPILOT Carbide Pilot .375" (9.52mm) Shank diameter
UCP0961	9.61mm .3783" UNIPILOT Carbide Pilot .375" (9.52mm) Shank diameter
UCP0963	9.63mm .3791" UNIPILOT Carbide Pilot .375" (9.52mm) Shank diameter

Pilots by Shank Diameter

PART #	6.00mm (.236") Shank Diameter Solid Carbide Pilots
UCPM0350	3.50mm .1378" UNIPILOT Carbide Pilot with 6.00mm Shank diameter
UCPM0397	3.97mm .1563" UNIPILOT Carbide Pilot with 6.00mm Shank diameter
UCPM0398	3.98mm .1567" UNIPILOT Carbide Pilot with 6.00mm Shank diameter
UCPM0399	3.99mm .1570" UNIPILOT Carbide Pilot with 6.00mm Shank diameter
UCPM0400	4.00mm .1575" UNIPILOT Carbide Pilot with 6.00mm Shank diameter
UCPM0434	4.34mm .1709" UNIPILOT Carbide Pilot with 6.00mm Shank diameter
UCPM0444	4.44mm .1748" UNIPILOT Carbide Pilot with 6.00mm Shank diameter
UCPM0445	4.45mm .1752" UNIPILOT Carbide Pilot with 6.00mm Shank diameter
UCPM0447	4.47mm .1760" UNIPILOT Carbide Pilot with 6.00mm Shank diameter
UCPM0448	4.48mm .1764" UNIPILOT Carbide Pilot with 6.00mm Shank diameter
UCPM0449	4.49mm .1768" UNIPILOT Carbide Pilot with 6.00mm Shank diameter
UCPM0450	4.50mm .1772" UNIPILOT Carbide Pilot with 6.00mm Shank diameter
UCPM0490	4.90mm .1929" UNIPILOT Carbide Pilot with 6.00mm Shank diameter
UCPM0495	4.95mm .1949" UNIPILOT Carbide Pilot with 6.00mm Shank diameter
UCPM0496	4.96mm .1953" UNIPILOT Carbide Pilot with 6.00mm Shank diameter
UCPM0497	4.97mm .1957" UNIPILOT Carbide Pilot with 6.00mm Shank diameter
UCPM0498	4.98mm .1961" UNIPILOT Carbide Pilot with 6.00mm Shank diameter
UCPM0499	4.99mm .1964" UNIPILOT Carbide Pilot with 6.00mm Shank diameter
UCPM0500	5.00mm .1968" UNIPILOT Carbide Pilot with 6.00mm Shank diameter
UCPM0502	5.02mm .1976" UNIPILOT Carbide Pilot with 6.00mm Shank diameter
UCPM0541	5.41mm .2130" UNIPILOT Carbide Pilot with 6.00mm Shank diameter
UCPM0543	5.43mm .2138" UNIPILOT Carbide Pilot with 6.00mm Shank diameter
UCPM0544	5.44mm .2142" UNIPILOT Carbide Pilot with 6.00mm Shank diameter
UCPM0545	5.45mm .2146" UNIPILOT Carbide Pilot with 6.00mm Shank diameter
UCPM0546	5.46mm .2149" UNIPILOT Carbide Pilot with 6.00mm Shank diameter
UCPM0547	5.47mm .2153" UNIPILOT Carbide Pilot with 6.00mm Shank diameter
UCPM0548	5.48mm .2157" UNIPILOT Carbide Pilot with 6.00mm Shank diameter
UCPM0549	5.49mm .2161" UNIPILOT Carbide Pilot with 6.00mm Shank diameter
UCPM0550	5.50mm .2165" UNIPILOT Carbide Pilot with 6.00mm Shank diameter
UCPM0551	5.51mm .2169" UNIPILOT Carbide Pilot with 6.00mm Shank diameter
UCPM0552	5.52mm .2173" UNIPILOT Carbide Pilot with 6.00mm Shank diameter
UCPM0555	5.55mm .2185" UNIPILOT Carbide Pilot with 6.00mm Shank diameter
UCPM0556	5.56mm .2189" UNIPILOT Carbide Pilot with 6.00mm Shank diameter
UCPM0562	5.62mm .2213" UNIPILOT Carbide Pilot with 6.00mm Shank diameter
UCPM0592	5.92mm .2331" UNIPILOT Carbide Pilot with 6.00mm Shank diameter
UCPM0593	5.93mm .2335" UNIPILOT Carbide Pilot with 6.00mm Shank diameter
UCPM0594	5.94mm .2339" UNIPILOT Carbide Pilot with 6.00mm Shank diameter
UCPM0595	5.95mm .2343" UNIPILOT Carbide Pilot with 6.00mm Shank diameter

PART #	6.00mm (.236") Shank Diameter Solid Carbide Pilots
UCPM0596	5.96mm .2346" UNIPILOT Carbide Pilot with 6.00mm Shank diameter
UCPM0597	5.97mm .2350" UNIPILOT Carbide Pilot with 6.00mm Shank diameter
UCPM0598	5.98mm .2354" UNIPILOT Carbide Pilot with 6.00mm Shank diameter
UCPM0599	5.99mm .2358" UNIPILOT Carbide Pilot with 6.00mm Shank diameter
UCPM0600	6.00mm .2362" UNIPILOT Carbide Pilot with 6.00mm Shank diameter
UCPM0601	6.01mm .2366" UNIPILOT Carbide Pilot with 6.00mm Shank diameter
UCPM0602	6.02mm .2370" UNIPILOT Carbide Pilot with 6.00mm Shank diameter
UCPM0618	6.18mm .2433" UNIPILOT Carbide Pilot with 6.00mm Shank diameter
UCPM0648	6.48mm .2551" UNIPILOT Carbide Pilot with 6.00mm Shank diameter
UCPM0650	6.50mm .2559" UNIPILOT Carbide Pilot with 6.00mm Shank diameter
UCPM0651	6.51mm .2563" UNIPILOT Carbide Pilot with 6.00mm Shank diameter
UCPM0658	6.58mm .2590" UNIPILOT Carbide Pilot with 6.00mm Shank diameter
UCPM0659	6.59mm .2594" UNIPILOT Carbide Pilot with 6.00mm Shank diameter
UCPM0660	6.60mm .2598" UNIPILOT Carbide Pilot with 6.00mm Shank diameter
UCPM0697	6.97mm .2744" UNIPILOT Carbide Pilot with 6.00mm Shank diameter
UCPM0699	6.97mm .2752" UNIPILOT Carbide Pilot with 6.00mm Shank diameter
UCPM0700	7.00mm .2756" UNIPILOT Carbide Pilot with 6.00mm Shank diameter
UCPM0701	7.01mm .2760" UNIPILOT Carbide Pilot with 6.00mm Shank diameter
UCPM0714	7.14mm .2811" UNIPILOT Carbide Pilot with 6.00mm Shank diameter

PART #	.375" (9.52mm) Shank Diameter Solid Carbide Pilots
UCP0399	3.99mm .1571" UNIPILOT Carbide Pilot .375" (9.52mm) Shank diameter
UCP0400	4.00mm .1575" UNIPILOT Carbide Pilot .375" (9.52mm) Shank diameter
UCP0445	4.45mm .1752" UNIPILOT Carbide Pilot .375" (9.52mm) Shank diameter
UCP0449	4.49mm .1768" UNIPILOT Carbide Pilot .375" (9.52mm) Shank diameter
UCP0450	4.50mm .1772" UNIPILOT Carbide Pilot .375" (9.52mm) Shank diameter
UCP0494	4.94mm .1945" UNIPILOT Carbide Pilot .375" (9.52mm) Shank diameter
UCP0495	4.95mm .1949" UNIPILOT Carbide Pilot .375" (9.52mm) Shank diameter
UCP0496	4.96mm .1954" UNIPILOT Carbide Pilot .375" (9.52mm) Shank diameter
UCP0497	4.97mm .1957" UNIPILOT Carbide Pilot .375" (9.52mm) Shank diameter
UCP0498	4.98mm .1961" UNIPILOT Carbide Pilot .375" (9.52mm) Shank diameter
UCP0499	4.99mm .1965" UNIPILOT Carbide Pilot .375" (9.52mm) Shank diameter
UCP0500	5.00mm .1968" UNIPILOT Carbide Pilot .375" (9.52mm) Shank diameter
UCP0501	5.01mm .1972" UNIPILOT Carbide Pilot .375" (9.52mm) Shank diameter
UCP0502	5.02mm .1976" UNIPILOT Carbide Pilot .375" (9.52mm) Shank diameter
UCP0544	5.44mm .2141" UNIPILOT Carbide Pilot .375" (9.52mm) Shank diameter
UCP0545	5.45mm .2145" UNIPILOT Carbide Pilot .375" (9.52mm) Shank diameter
UCP0546	5.46mm .2150" UNIPILOT Carbide Pilot .375" (9.52mm) Shank diameter

PART #	.375" (9.52mm) Shank Diameter Solid Carbide Pilots
UCP0547	5.47mm .2153" UNIPILOT Carbide Pilot .375" (9.52mm) Shank diameter
UCP0548	5.48mm .2157" UNIPILOT Carbide Pilot .375" (9.52mm) Shank diameter
UCP0549	5.49mm .2161" UNIPILOT Carbide Pilot .375" (9.52mm) Shank diameter
UCP0550	5.50mm .2165" UNIPILOT Carbide Pilot .375" (9.52mm) Shank diameter
UCP0551	5.51mm .2169" UNIPILOT Carbide Pilot .375" (9.52mm) Shank diameter
UCP0552	5.52mm .2173" UNIPILOT Carbide Pilot .375" (9.52mm) Shank diameter
UCP0556	5.56mm .2188" UNIPILOT Carbide Pilot .375" (9.52mm) Shank diameter
UCP0559	5.59mm .2201" UNIPILOT Carbide Pilot .375" (9.52mm) Shank diameter
UCP0591	5.91mm .2327" UNIPILOT Carbide Pilot .375" (9.52mm) Shank diameter
UCP0592	5.92mm .2331" UNIPILOT Carbide Pilot .375" (9.52mm) Shank diameter
UCP0594	5.94mm .2340" UNIPILOT Carbide Pilot .375" (9.52mm) Shank diameter
UCP0595	5.95mm .2343" UNIPILOT Carbide Pilot .375" (9.52mm) Shank diameter
UCP0596	5.96mm .2346" UNIPILOT Carbide Pilot .375" (9.52mm) Shank diameter
UCP0597	5.97mm .2350" UNIPILOT Carbide Pilot .375" (9.52mm) Shank diameter
UCP0598	5.98mm .2354" UNIPILOT Carbide Pilot .375" (9.52mm) Shank diameter (CAT C4.4 Cylinder Heads)
UCP0599	5.99mm .2358" UNIPILOT Carbide Pilot .375" (9.52mm) Shank diameter (CAT C6.6 Cylinder Heads)
UCP0600	6.00mm .2363" UNIPILOT Carbide Pilot .375" (9.52mm) Shank diameter
UCP0601	6.01mm .2366" UNIPILOT Carbide Pilot .375" (9.52mm) Shank diameter (CAT C6.6 Cylinder Heads)
UCP0602	6.02mm .2370" UNIPILOT Carbide Pilot .375" (9.52mm) Shank diameter
UCP0603	6.03mm .2374" UNIPILOT Carbide Pilot .375" (9.52mm) Shank diameter
UCP0604	6.04mm .2378" UNIPILOT Carbide Pilot .375" (9.52mm) Shank diameter
UCP0605	6.05mm .2382" UNIPILOT Carbide Pilot .375" (9.52mm) Shank diameter
UCP0606	6.06mm .2386" UNIPILOT Carbide Pilot .375" (9.52mm) Shank diameter
UCP0607	6.07mm .2390" UNIPILOT Carbide Pilot .375" (9.52mm) Shank diameter
UCP0610	6.10mm .2402" UNIPILOT Carbide Pilot .375" (9.52mm) Shank diameter
UCP0613	6.13mm .2413" UNIPILOT Carbide Pilot .375" (9.52mm) Shank diameter
UCP0614	6.14mm .2417" UNIPILOT Carbide Pilot .375" (9.52mm) Shank diameter
UCP0627	6.27mm .2468" UNIPILOT Carbide Pilot .375" (9.52mm) Shank diameter
UCP0630	6.30mm .2480" UNIPILOT Carbide Pilot .375" (9.52mm) Shank diameter
UCP0632	6.32mm .2488" UNIPILOT Carbide Pilot .375" (9.52mm) Shank diameter
UCP0634	6.34mm .2496" UNIPILOT Carbide Pilot .375" (9.52mm) Shank diameter
UCP0635	6.35mm .2500" UNIPILOT Carbide Pilot .375" (9.52mm) Shank diameter
UCP0636	6.36mm .2504" UNIPILOT Carbide Pilot .375" (9.52mm) Shank diameter
UCP0637	6.37mm .2508" UNIPILOT Carbide Pilot .375" (9.52mm) Shank diameter
UCP0640	6.40mm .2520" UNIPILOT Carbide Pilot .375" (9.52mm) Shank diameter
UCP0644	6.44mm .2535" UNIPILOT Carbide Pilot .375" (9.52mm) Shank diameter
UCP0646	6.46mm .2543" UNIPILOT Carbide Pilot .375" (9.52mm) Shank diameter
UCP0649	6.49mm .2555" UNIPILOT Carbide Pilot .375" (9.52mm) Shank diameter

PART #	.375" (9.52mm) Shank Diameter Solid Carbide Pilots
UCP0650	6.50mm .2559" UNIPILOT Carbide Pilot .375" (9.52mm) Shank diameter
UCP0651	6.51mm .2563" UNIPILOT Carbide Pilot .375" (9.52mm) Shank diameter
UCP0653	6.53mm .2571" UNIPILOT Carbide Pilot .375" (9.52mm) Shank diameter
UCP0654	6.54mm .2575" UNIPILOT Carbide Pilot .375" (9.52mm) Shank diameter
UCP0655	6.55mm .2578" UNIPILOT Carbide Pilot .375" (9.52mm) Shank diameter
UCP0656	6.56mm .2583" UNIPILOT Carbide Pilot .375" (9.52mm) Shank diameter
UCP0657	6.57mm .2587" UNIPILOT Carbide Pilot .375" (9.52mm) Shank diameter
UCP0658	6.58mm .2591" UNIPILOT Carbide Pilot .375" (9.52mm) Shank diameter
UCP0659	6.59mm .2594" UNIPILOT Carbide Pilot .375" (9.52mm) Shank diameter
UCP0660	6.60mm .2598" UNIPILOT Carbide Pilot .375" (9.52mm) Shank diameter
UCP0661	6.61mm .2602" UNIPILOT Carbide Pilot .375" (9.52mm) Shank diameter
UCP0662	6.62mm .2606" UNIPILOT Carbide Pilot .375" (9.52mm) Shank diameter
UCP0663	6.63mm .2610" UNIPILOT Carbide Pilot .375" (9.52mm) Shank diameter
UCP0680	6.80mm .2677" UNIPILOT Carbide Pilot .375" (9.52mm) Shank diameter
UCP0688	6.88mm .2709" UNIPILOT Carbide Pilot .375" (9.52mm) Shank diameter
UCP0689	6.89mm .2712" UNIPILOT Carbide Pilot .375" (9.52mm) Shank diameter
UCP0690	6.90mm .2717" UNIPILOT Carbide Pilot .375" (9.52mm) Shank diameter
UCP0691	6.91mm .2720" UNIPILOT Carbide Pilot .375" (9.52mm) Shank diameter
UCP0692	6.92mm .2724" UNIPILOT Carbide Pilot .375" (9.52mm) Shank diameter
UCP0693	6.91mm .2728" UNIPILOT Carbide Pilot .375" (9.52mm) Shank diameter
UCP0694	6.94mm .2732" UNIPILOT Carbide Pilot .375" (9.52mm) Shank diameter
UCP0695	6.95mm .2736" UNIPILOT Carbide Pilot .375" (9.52mm) Shank diameter
UCP0696	6.96mm .2740" UNIPILOT Carbide Pilot .375" (9.52mm) Shank diameter
UCP0697	6.97mm .2744" UNIPILOT Carbide Pilot .375" (9.52mm) Shank diameter
UCP0698	6.98mm .2748" UNIPILOT Carbide Pilot .375" (9.52mm) Shank diameter
UCP0699	6.99mm .2752" UNIPILOT Carbide Pilot .375" (9.52mm) Shank diameter
UCP0700	7.00mm .2756" UNIPILOT Carbide Pilot .375" (9.52mm) Shank diameter
UCP0701	7.01mm .2760" UNIPILOT Carbide Pilot .375" (9.52mm) Shank diameter
UCP0702	7.02mm .2764" UNIPILOT Carbide Pilot .375" (9.52mm) Shank diameter

.375" (9.52mm) Shank Diameter Solid Carbide Pilots	
UCP0703	7.03mm .2768" UNIPILOT Carbide Pilot .375" (9.52mm) Shank diameter
UCP0704	7.04mm .2772" UNIPILOT Carbide Pilot .375" (9.52mm) Shank diameter
UCP0705	7.05mm .2776" UNIPILOT Carbide Pilot .375" (9.52mm) Shank diameter.
UCP0706	7.06mm .2780" UNIPILOT Carbide Pilot .375" (9.52mm) Shank diameter.
UCP0707	7.07mm .2783" UNIPILOT Carbide Pilot .375" (9.52mm) Shank diameter.
UCP0708	7.08mm .2787" UNIPILOT Carbide Pilot .375" (9.52mm) Shank diameter.
UCP0709	7.09mm .2791" UNIPILOT Carbide Pilot .375" (9.52mm) Shank diameter.
UCP0710	7.10mm .2795" UNIPILOT Carbide Pilot .375" (9.52mm) Shank diameter.
UCP0711	7.11mm .2799" UNIPILOT Carbide Pilot .375" (9.52mm) Shank diameter.
UCP0713	7.13mm .2807" UNIPILOT Carbide Pilot .375" (9.52mm) Shank diameter.
UCP0714	7.14mm .2811" UNIPILOT Carbide Pilot .375" (9.52mm) Shank diameter
UCP0715	7.15mm .2814" UNIPILOT Carbide Pilot .375" (9.52mm) Shank diameter
UCP0716	7.16mm .2818" UNIPILOT Carbide Pilot .375" (9.52mm) Shank diameter
UCP0719	7.19mm .2830" UNIPILOT Carbide Pilot .375" (9.52mm) Shank diameter
UCP0720	7.20mm .2835" UNIPILOT Carbide Pilot .375" (9.52mm) Shank diameter
UCP0721	7.21mm .2839" UNIPILOT Carbide Pilot .375" (9.52mm) Shank diameter
UCP0722	7.22mm .2843" UNIPILOT Carbide Pilot .375" (9.52mm) Shank diameter
UCP0723	7.23mm .2846" UNIPILOT Carbide Pilot .375" (9.52mm) Shank diameter
UCP0724	7.24mm .2850" UNIPILOT Carbide Pilot .375" (9.52mm) Shank diameter
UCP0725	7.25mm .2854" UNIPILOT Carbide Pilot .375" (9.52mm) Shank diameter
UCP0734	7.34mm .2890" UNIPILOT Carbide Pilot .375" (9.52mm) Shank diameter
UCP0742	7.42mm .2921" UNIPILOT Carbide Pilot .375" (9.52mm) Shank diameter
UCP0743	7.43mm .2925" UNIPILOT Carbide Pilot .375" (9.52mm) Shank diameter
UCP0750	7.50mm .2953" UNIPILOT Carbide Pilot .375" (9.52mm) Shank diameter
UCP0777	7.77mm .3059" UNIPILOT Carbide Pilot .375" (9.52mm) Shank diameter
UCP0779	7.79mm .3067" UNIPILOT Carbide Pilot .375" (9.52mm) Shank diameter
UCP0782	7.82mm .3070" UNIPILOT Carbide Pilot .375" (9.52mm) Shank diameter
UCP0785	7.85mm .3091" UNIPILOT Carbide Pilot .375" (9.52mm) Shank diameter
UCP0786	7.86mm .3094" UNIPILOT Carbide Pilot .375" (9.52mm) Shank diameter
UCP0787	7.87mm .3098" UNIPILOT Carbide Pilot .375" (9.52mm) Shank diameter
UCP0788	7.88mm .3102" UNIPILOT Carbide Pilot .375" (9.52mm) Shank diameter
UCP0789	7.89mm .3106" UNIPILOT Carbide Pilot .375" (9.52mm) Shank diameter
UCP0790	7.90mm .3110" UNIPILOT Carbide Pilot .375" (9.52mm) Shank diameter
UCP0791	7.91mm .3114" UNIPILOT Carbide Pilot .375" (9.52mm) Shank diameter
UCP0792	7.92mm .3118" UNIPILOT Carbide Pilot .375" (9.52mm) Shank diameter
UCP0792EL9	7.92mm .3118" UNIPILOT Carbide Pilot .375" (9.52mm) Shank diameter (9.00" extended length)
UCP0793	7.93mm .3122" UNIPILOT Carbide Pilot .375" (9.52mm) Shank diameter
UCP0793EL9	7.93mm .3122" UNIPILOT Carbide Pilot .375" (9.52mm) Shank diameter (9.00" extended length)
UCP0794	7.94mm .3126" UNIPILOT Carbide Pilot .375" (9.52mm) Shank diameter

PART #	.375" (9.52mm) Shank Diameter Solid Carbide Pilots
UCP0794EL9	7.94mm .3126" UNIPILOT Carbide Pilot .375" (9.52mm) Shank diameter (9.00" extended length)
UCP0795	7.95mm .3130" UNIPILOT Carbide Pilot .375" (9.52mm) Shank diameter
UCP0795EL9	7.95mm .3130" UNIPILOT Carbide Pilot .375" (9.52mm) Shank diameter (9.00" extended length)
UCP0796	7.96mm .3134" UNIPILOT Carbide Pilot .375" (9.52mm) Shank diameter
UCP0796EL9	7.96mm .3134" UNIPILOT Carbide Pilot .375" (9.52mm) Shank diameter (9.00" extended length)
UCP0797	7.97mm .3138" UNIPILOT Carbide Pilot .375" (9.52mm) Shank diameter
UCP0797EL9	7.97mm .3138" UNIPILOT Carbide Pilot .375" (9.52mm) Shank diameter (9.00" extended length)
UCP0798	7.98mm .3142" UNIPILOT Carbide Pilot .375" (9.52mm) Shank diameter
UCP0798EL9	7.98mm .3142" UNIPILOT Carbide Pilot .375" (9.52mm) Shank diameter (9.00" extended length)
UCP0799	7.99mm .3146" UNIPILOT Carbide Pilot .375" (9.52mm) Shank diameter
UCP0799EL9	7.99mm .3146" UNIPILOT Carbide Pilot .375" (9.52mm) Shank diameter (9.00" extended length)
UCP0800	8.00mm .3150" UNIPILOT Carbide Pilot .375" (9.52mm) Shank diameter
UCP0800EL9	8.00mm .3150" UNIPILOT Carbide Pilot .375" (9.52mm) Shank diameter (9.00" extended length)
UCP0801	8.01mm .3154" UNIPILOT Carbide Pilot .375" (9.52mm) Shank diameter
UCP0801EL9	8.01mm .3154" UNIPILOT Carbide Pilot .375" (9.52mm) Shank diameter (9.00" extended length)
UCP0802	8.02mm .3157" UNIPILOT Carbide Pilot .375" (9.52mm) Shank diameter
UCP0802EL9	8.02mm .3157" UNIPILOT Carbide Pilot .375" (9.52mm) Shank diameter (9.00" extended length)
UCP0803	8.03mm .3161" UNIPILOT Carbide Pilot .375" (9.52mm) Shank diameter
UCP0804	8.04mm .3165" UNIPILOT Carbide Pilot .375" (9.52mm) Shank diameter
UCP0805	8.05mm .3169" UNIPILOT Carbide Pilot .375" (9.52mm) Shank diameter
UCP0806	8.06mm .3173" UNIPILOT Carbide Pilot .375" (9.52mm) Shank diameter (CAT 3064/66 Cylinder Heads)
UCP0807	8.07mm .3177" UNIPILOT Carbide Pilot .375" (9.52mm) Shank diameter (CAT 3064/66 Cylinder Heads)
UCP0808	8.08mm .3181" UNIPILOT Carbide Pilot .375" (9.52mm) Shank diameter (CAT 3100 Cylinder Heads)
UCP0808EL9	8.08mm .3181" UNIPILOT Carbide Pilot .375" (9.52mm) Shank diameter (CAT 3100 Cylinder Heads) (9.00" extended length)
UCP0809	8.09mm .3187" UNIPILOT Carbide Pilot .375" (9.52mm) Shank diameter (CAT 3100 Cylinder Heads)
UCP0809EL9	8.09mm .3187" UNIPILOT Carbide Pilot .375" (9.52mm) Shank diameter (CAT 3100 Cylinder Heads) (9.00" extended length)
UCP0811	8.11mm .3192" UNIPILOT Carbide Pilot .375" (9.52mm) Shank diameter (CAT 3100 Cylinder Heads)
UCP0813	8.13mm .3201" UNIPILOT Carbide Pilot .375" (9.52mm) Shank diameter (CAT 3100 Cylinder Heads)
UCP0814	8.14mm .3205" UNIPILOT Carbide Pilot .375" (9.52mm) Shank diameter (CAT 3100 Cylinder Heads)
UCP0820	8.20mm .3228" UNIPILOT Carbide Pilot .375" (9.52mm) Shank diameter
UCP0821	8.21mm .3232" UNIPILOT Carbide Pilot .375" (9.52mm) Shank diameter

PART #	.375" (9.52mm) Shank Diameter Solid Carbide Pilots
UCP0822	8.22mm .3236" UNIPILOT Carbide Pilot .375" (9.52mm) Shank diameter
UCP0825	8.25mm .3248" UNIPILOT Carbide Pilot .375" (9.52mm) Shank diameter
UCP0826	8.26mm .3252" UNIPILOT Carbide Pilot .375" (9.52mm) Shank diameter
UCP0828	8.28mm .3260" UNIPILOT Carbide Pilot .375" (9.52mm) Shank diameter
UCP0829	8.29mm .3264" UNIPILOT Carbide Pilot .375" (9.52mm) Shank diameter.
UCP0830	8.30mm .3268" UNIPILOT Carbide Pilot .375" (9.52mm) Shank diameter
UCP0831	8.31mm .3272" UNIPILOT Carbide Pilot .375" (9.52mm) Shank diameter
UCP0832	8.32mm .3276" UNIPILOT Carbide Pilot .375" (9.52mm) Shank diameter
UCP0833	8.33mm .3279" UNIPILOT Carbide Pilot .375" (9.52mm) Shank diameter.
UCP0834	8.34mm .3283" UNIPILOT Carbide Pilot .375" (9.52mm) Shank diameter
UCP0835	8.35mm .3287" UNIPILOT Carbide Pilot .375" (9.52mm) Shank diameter
UCP0836	8.36mm .3291" UNIPILOT Carbide Pilot .375" (9.52mm) Shank diameter
UCP0837	8.37mm .3295" UNIPILOT Carbide Pilot .375" (9.52mm) Shank diameter
UCP0838	8.38mm .3299" UNIPILOT Carbide Pilot .375" (9.52mm) Shank diameter
UCP0840	8.40mm .3307" UNIPILOT Carbide Pilot .375" (9.52mm) Shank diameter
UCP0842	8.42mm .3315" UNIPILOT Carbide Pilot .375" (9.52mm) Shank diameter
UCP0845	8.45mm .3323" UNIPILOT Carbide Pilot .375" (9.52mm) Shank diameter
UCP0846	8.46mm .3331" UNIPILOT Carbide Pilot .375" (9.52mm) Shank diameter
UCP0847	8.47mm .3334" UNIPILOT Carbide Pilot .375" (9.52mm) Shank diameter
UCP0848	8.48mm .3339" UNIPILOT Carbide Pilot .375" (9.52mm) Shank diameter
UCP0849	8.49mm .3342" UNIPILOT Carbide Pilot .375" (9.52mm) Shank diameter
UCP0850	8.50mm .3346" UNIPILOT Carbide Pilot .375" (9.52mm) Shank diameter
UCP0851	8.51mm .3350" UNIPILOT Carbide Pilot .375" (9.52mm) Shank diameter
UCP0856	8.56mm .3370" UNIPILOT Carbide Pilot .375" (9.52mm) Shank diameter
UCP0858	8.58mm .3378" UNIPILOT Carbide Pilot .375" (9.52mm) Shank diameter
UCP0859	8.59mm .3382" UNIPILOT Carbide Pilot .375" (9.52mm) Shank diameter
UCP0860	8.60mm .3386" UNIPILOT Carbide Pilot .375" (9.52mm) Shank diameter
UCP0864	8.64mm .3402" UNIPILOT Carbide Pilot .375" (9.52mm) Shank diameter
UCP0865	8.65mm .3405" UNIPILOT Carbide Pilot .375" (9.52mm) Shank diameter
UCP0866	8.66mm .3409" UNIPILOT Carbide Pilot .375" (9.52mm) Shank diameter
UCP0867	8.67mm .3413" UNIPILOT Carbide Pilot .375" (9.52mm) Shank diameter
UCP0868	8.68mm .3417" UNIPILOT Carbide Pilot .375" (9.52mm) Shank diameter
UCP0868EL9	8.68mm .3417" UNIPILOT Carbide Pilot .375" (9.52mm) Shank diameter (9.00" extended length)
UCP0869	8.69mm .3421" UNIPILOT Carbide Pilot .375" (9.52mm) Shank diameter
UCP0870	8.70mm .3425" UNIPILOT Carbide Pilot .375" (9.52mm) Shank diameter
UCP0870EL9	8.70mm .3425" UNIPILOT Carbide Pilot .375" (9.52mm) Shank diameter (9.00" extended length)
UCP0871	8.71mm .3429" UNIPILOT Carbide Pilot .375" (9.52mm) Shank diameter (CUMMINS SERIES B/C Cylinder Heads)

PART #	.375" (9.52mm) Shank Diameter Solid Carbide Pilots
UCP0871EL9	8.71mm .3429" UNIPILOT Carbide Pilot .375" (9.52mm) Shank diameter (CUMMINS SERIES B/C Cylinder Heads) (9.00" extended length)
UCP0872	8.72mm .3433" UNIPILOT Carbide Pilot .375" (9.52mm) Shank diameter
UCP0873	8.73mm .3437" UNIPILOT Carbide Pilot .375" (9.52mm) Shank diameter (CUMMINS SERIES B/C Cylinder Heads)
UCP0873EL9	8.73mm .3437" UNIPILOT Carbide Pilot .375" (9.52mm) Shank diameter (CUMMINS SERIES B/C Cylinder Heads) (9.00" extended length)
UCP0874	8.74mm .3441" UNIPILOT Carbide Pilot .375" (9.52mm) Shank diameter (CUMMINS SERIES B/C Cylinder Heads)
UCP0874EL9	8.74mm .3441" UNIPILOT Carbide Pilot .375" (9.52mm) Shank diameter (CUMMINS SERIES B/C Cylinder Heads) (9.00" extended length)
UCP0875	8.75mm .3445" UNIPILOT Carbide Pilot .375" (9.52mm) Shank diameter
UCP0875EL9	8.75mm .3445" UNIPILOT Carbide Pilot .375" (9.52mm) Shank diameter (9.00" extended length)
UCP0876	8.76mm .3449" UNIPILOT Carbide Pilot .375" (9.52mm) Shank diameter
UCP0876EL9	8.76mm .3449" UNIPILOT Carbide Pilot .375" (9.52mm) Shank diameter (9.00" extended length) Detroit 60 Series
UCP0877	8.77mm .3453" UNIPILOT Carbide Pilot .375" (9.52mm) Shank diameter
UCP0877EL9	8.77mm .3453" UNIPILOT Carbide Pilot .375" (9.52mm) Shank diameter (9.00" extended length) Detroit 60 Series
UCP0878	8.78mm .3457" UNIPILOT Carbide Pilot .375" (9.52mm) Shank diameter
UCP0878EL9	8.78mm .3457" UNIPILOT Carbide Pilot .375" (9.52mm) Shank diameter (9.00" extended length) Detroit 60
UCP0879	8.79mm .3461" UNIPILOT Carbide Pilot .375" (9.52mm) Shank diameter
UCP0880	8.80mm .3464" UNIPILOT Carbide Pilot .375" (9.52mm) Shank diameter
UCP0881	8.81mm .3469" UNIPILOT Carbide Pilot .375" (9.52mm) Shank diameter
UCP0885	8.85mm .3484" UNIPILOT Carbide Pilot .375" (9.52mm) Shank diameter
UCP0890	8.90mm .3504" UNIPILOT Carbide Pilot .375" (9.52mm) Shank diameter
UCP0891	8.91mm .3508" UNIPILOT Carbide Pilot .375" (9.52mm) Shank diameter
UCP0892	8.92mm .3512" UNIPILOT Carbide Pilot .375" (9.52mm) Shank diameter
UCP0892EL9	8.92mm .3512" UNIPILOT Carbide Pilot .375" (9.52mm) Shank diameter (9.00" extended length) Detroit 60
UCP0894	8.94mm .3519" UNIPILOT Carbide Pilot .375" (9.52mm) Shank diameter
UCP0895	8.95mm .3523" UNIPILOT Carbide Pilot .375" (9.52mm) Shank diameter
UCP0896	8.96mm .3527" UNIPILOT Carbide Pilot .375" (9.52mm) Shank diameter
UCP0896EL9	8.96mm .3527" UNIPILOT Carbide Pilot .375" (9.52mm) Shank diameter (9.00" extended length)
UCP0897	8.97mm .3531" UNIPILOT Carbide Pilot .375" (9.52mm) Shank diameter
UCP0897EL9	8.97mm .3531" UNIPILOT Carbide Pilot .375" (9.52mm) Shank diameter (9.00" extended length)
UCP0898	8.98mm .3535" UNIPILOT Carbide Pilot .375" (9.52mm) Shank diameter
UCP0898EL9	8.98mm .3535" UNIPILOT Carbide Pilot .375" (9.52mm) Shank diameter (9.00" extended length)
UCP0899	8.99mm .3539" UNIPILOT Carbide Pilot .375" (9.52mm) Shank diameter

PART #	.375" (9.52mm) Shank Diameter Solid Carbide Pilots
UCP0899EL9	8.99mm .3539" UNIPILOT Carbide Pilot .375" (9.52mm) Shank diameter (9.00" extended length)
UCP0900	9.00mm .3543" UNIPILOT Carbide Pilot .375" (9.52mm) Shank diameter (CAT 3054 Cylinder Heads)
UCP0900EL9	9.00mm .3543" UNIPILOT Carbide Pilot .375" (9.52mm) Shank diameter (CAT 3054 Cylinder Heads) (9.00" extended length)
UCP0901	9.01mm .3547" UNIPILOT Carbide Pilot .375" (9.52mm) Shank diameter (CAT 3054 Cylinder Heads)
UCP0901EL9	9.01mm .3547" UNIPILOT Carbide Pilot .375" (9.52mm) Shank diameter (CAT 3054 Cylinder Heads) (9.00" extended length)
UCP0902	9.02mm .3551" UNIPILOT Carbide Pilot .375" (9.52mm) Shank diameter (CAT 3054 Cylinder Heads)
UCP0902EL9	9.02mm .3551" UNIPILOT Carbide Pilot .375" (9.52mm) Shank diameter (CAT 3054 Cylinder Heads) (9.00" extended length)
UCP0904	9.04mm .3559" UNIPILOT Carbide Pilot .375" (9.52mm) Shank diameter
UCP0905	9.05mm .3563" UNIPILOT Carbide Pilot .375" (9.52mm) Shank diameter
UCP0906	9.06mm .3566" UNIPILOT Carbide Pilot .375" (9.52mm) Shank diameter
UCP0906EL9	9.06mm .3566" UNIPILOT Carbide Pilot .375" (9.52mm) Shank diameter (CAT 3054 Cylinder Heads) (9.00" extended length)
UCP0907	9.07mm .3571" UNIPILOT Carbide Pilot .375" (9.52mm) Shank diameter
UCP0907EL9	9.07mm .3571" UNIPILOT Carbide Pilot .375" (9.52mm) Shank diameter (CAT 3054 Cylinder Heads) (9.00" extended length)
UCP0908	9.08mm .3575" UNIPILOT Carbide Pilot .375" (9.52mm) Shank diameter
UCP0909	9.09mm .3579" UNIPILOT Carbide Pilot .375" (9.52mm) Shank diameter
UCP0909EL9	9.09mm .3579" UNIPILOT Carbide Pilot .375" (9.52mm) Shank diameter (CAT 3054 Cylinder Heads) (9.00" extended length)
UCP0910	9.10mm .3583" UNIPILOT Carbide Pilot .375" (9.52mm) Shank diameter
UCP0911	9.11mm .3587" UNIPILOT Carbide Pilot .375" (9.52mm) Shank diameter
UCP0912	9.12mm .3591" UNIPILOT Carbide Pilot .375" (9.52mm) Shank diameter
UCP0913	9.13mm .3594" UNIPILOT Carbide Pilot .375" (9.52mm) Shank diameter
UCP0914	9.14mm .3598" UNIPILOT Carbide Pilot .375" (9.52mm) Shank diameter
UCP0915	9.15mm .3602" UNIPILOT Carbide Pilot .375" (9.52mm) Shank diameter
UCP0919	9.19mm .3618" UNIPILOT Carbide Pilot .375" (9.52mm) Shank diameter
UCP0925EL9	9.25mm .3645" UNIPILOT Carbide Pilot .375" (9.52mm) Shank Diameter (9.00" extended length) Waukesha Cylinder heads
UCP0926EL9	9.26mm .3648" UNIPILOT Carbide Pilot .375" (9.52mm) Shank Diameter (9.00" extended length) Waukesha Cylinder heads
UCP0932	9.32mm .3569" UNIPILOT Carbide Pilot .375" (9.52mm) Shank diameter
UCP0935	9.35mm .3681" UNIPILOT Carbide Pilot .375" (9.52mm) Shank diameter
UCP0936	9.36mm .3685" UNIPILOT Carbide Pilot .375" (9.52mm) Shank diameter
UCP0937	9.37mm .3689" UNIPILOT Carbide Pilot .375" (9.52mm) Shank diameter
UCP0941	9.41mm .3705" UNIPILOT Carbide Pilot .375" (9.52mm) Shank diameter
UCP0941EL9	9.41mm .3705" UNIPILOT Carbide Pilot .375" (9.52mm) Shank Diameter (9.00" extended length) Waukesha Cylinder heads

PART #	.375" (9.52mm) Shank Diameter Solid Carbide Pilots
UCP0942	9.42mm .3709" UNIPILOT Carbide Pilot .375" (9.52mm) Shank diameter
UCP0943	9.43mm .3713" UNIPILOT Carbide Pilot .375" (9.52mm) Shank diameter
UCP0944	9.44mm .3717" UNIPILOT Carbide Pilot .375" (9.52mm) Shank diameter
UCP0944EL9	9.44mm .3717" UNIPILOT Carbide Pilot .375" (9.52mm) Shank diameter (9.00" extended length)
UCP0945	9.45mm .3720" UNIPILOT Carbide Pilot .375" (9.52mm) Shank diameter
UCP0945EL9	9.45mm .3720" UNIPILOT Carbide Pilot .375" (9.52mm) Shank diameter (9.00" extended length)
UCP0946	9.46mm .3724" UNIPILOT Carbide Pilot .375" (9.52mm) Shank diameter
UCP0946EL9	9.46mm .3724" UNIPILOT Carbide Pilot .375" (9.52mm) Shank diameter (9.00" extended length) CAT 3500 Cylinder Head Intake
UCP0947	9.47mm .3728" UNIPILOT Carbide Pilot .375" (9.52mm) Shank diameter (MACK E7-E6 Cylinder Heads)
UCP0947EL9	9.47mm .3728" UNIPILOT Carbide Pilot .375" (9.52mm) Shank diameter (9.00" extended length) CAT 3500 Cylinder Head Intake
UCP0948	9.48mm .3732" UNIPILOT Carbide Pilot .375" (9.52mm) Shank diameter (CAT 3300 Cylinder Heads)
UCP0948EL9	9.48mm .3732" UNIPILOT Carbide Pilot .375" (9.52mm) Shank diameter (9.00" extended length) CAT 3500 Cylinder Head Intake
UCP0949	9.49mm .3736" UNIPILOT Carbide Pilot .375" (9.52mm) Shank diameter (CAT 3400 Cylinder Heads)
UCP0949EL9	9.49mm .3736" UNIPILOT Carbide Pilot .375" (9.52mm) Shank diameter (9.00" extended length) CAT 3500 Cylinder Head Intake
UCP0950	9.50mm .3740" UNIPILOT Carbide Pilot .375" (9.52mm) Shank diameter (CAT 3400 Cylinder Heads)
UCP0950EL9	9.50mm .3740" UNIPILOT Carbide Pilot .375" (9.52mm) Shank diameter (9.00" extended length) CAT 3500 Cylinder Head Intake
UCP0951	9.51mm .3744" UNIPILOT Carbide Pilot .375" (9.52mm) Shank diameter (CAT 3200 Cylinder Heads)
UCP0951EL9	9.51mm .3744" UNIPILOT Carbide Pilot .375" (9.52mm) Shank diameter (9.00" extended length) CAT 3500 Cylinder Head Intake
UCP0952	9.52mm .3748" UNIPILOT Carbide Pilot .375" (9.52mm) Shank diameter (CAT C7-C15 Cylinder Heads)
UCP0952EL9	9.52mm .3748" UNIPILOT Carbide Pilot .375" (9.52mm) Shank diameter (9.00" extended length) CAT 3500 Cylinder Head Intake
UCP0953	9.53mm .3752" UNIPILOT Carbide Pilot .375" (9.52mm) Shank diameter (CAT C15-C18 Cylinder Heads)
UCP0953EL9	9.53mm .3752" UNIPILOT Carbide Pilot .375" (9.52mm) Shank diameter (9.00" extended length) CAT 3500 Cylinder Head Intake
UCP0954	9.54mm .3756" UNIPILOT Carbide Pilot .375" (9.52mm) Shank diameter (CAT C18-C32 Cylinder Heads)
UCP0955	9.55mm .3760" UNIPILOT Carbide Pilot .375" (9.52mm) Shank diameter (CAT C18-C32 Cylinder Heads)
UCP0955EL9	9.55mm .3760" UNIPILOT Carbide Pilot .375" (9.52mm) Shank diameter (9.00" extended length) CAT 3500 Cylinder Head Intake
UCP0956	9.56mm .3764" UNIPILOT Carbide Pilot .375" (9.52mm) Shank diameter (CAT C18-C32 Cylinder Heads)
UCP0956EL9	9.56mm .3764" UNIPILOT Carbide Pilot .375" (9.52mm) Shank diameter (9.00" extended length) CAT 3500 Cylinder Head Intake

PART #	.375" (9.52mm) Shank Diameter Solid Carbide Pilots
UCP0957	9.57mm .3768" UNIPILOT Carbide Pilot .375" (9.52mm) Shank diameter
UCP0958	9.58mm .3772" UNIPILOT Carbide Pilot .375" (9.52mm) Shank diameter
UCP0959	9.59mm .3776" UNIPILOT Carbide Pilot .375" (9.52mm) Shank diameter
UCP0959EL9	9.59mm .3776" UNIPILOT Carbide Pilot .375" (9.52mm) Shank diameter (9.00" extended length)
UCP0960	9.60mm .3780" UNIPILOT Carbide Pilot .375" (9.52mm) Shank diameter
UCP0960EL9	9.60mm .3780" UNIPILOT Carbide Pilot .375" (9.52mm) Shank diameter (9.00" extended length)
UCP0961	9.61mm .3783" UNIPILOT Carbide Pilot .375" (9.52mm) Shank diameter
UCP0961EL9	9.61mm .3783" UNIPILOT Carbide Pilot .375" (9.52mm) Shank diameter (9.00" extended length)
UCP0963	9.63mm .3791" UNIPILOT Carbide Pilot .375" (9.52mm) Shank diameter
UCP0964	9.64mm .3795" UNIPILOT Carbide Pilot .375" (9.52mm) Shank diameter
UCP0965	9.65mm .3800" UNIPILOT Carbide Pilot .375" (9.52mm) Shank diameter
UCP0966	9.66mm .3803" UNIPILOT Carbide Pilot .375" (9.52mm) Shank diameter
UCP0966EL9	9.66mm .3803" UNIPILOT Carbide Pilot .375" (9.52mm) Shank diameter (9.00" extended length)
UCP0967	9.67mm .3807" UNIPILOT Carbide Pilot .375" (9.52mm) Shank diameter
UCP0967EL9	9.67mm .3807" UNIPILOT Carbide Pilot .375" (9.52mm) Shank diameter (9.00" extended length)
UCP0968	9.68mm .3811" UNIPILOT Carbide Pilot .375" (9.52mm) Shank diameter
UCP0968EL9	9.68mm .3811" UNIPILOT Carbide Pilot .375" (9.52mm) Shank diameter (9.00" extended length)
UCP0969	9.69mm .3815" UNIPILOT Carbide Pilot .375" (9.52mm) Shank diameter
UCP0969EL9	9.69mm .3815" UNIPILOT Carbide Pilot .375" (9.52mm) Shank diameter (9.00" extended length)
UCP0970EL9	9.70mm .3818" UNIPILOT Carbide Pilot .375" (9.52mm) Shank diameter (9.00" extended length)
UCP0971	9.71mm .3823" UNIPILOT Carbide Pilot .375" (9.52mm) Shank diameter
UCP0971EL9	9.71mm .3823" UNIPILOT Carbide Pilot .375" (9.52mm) Shank diameter (9.00" extended length)
UCP0972EL9	9.72mm .3826" UNIPILOT Carbide Pilot .375" (9.52mm) Shank diameter (9.00" extended length)
UCP0973	9.73mm .3831" UNIPILOT Carbide Pilot .375" (9.52mm) Shank diameter
UCP0973EL9	9.73mm .3831" UNIPILOT Carbide Pilot .375" (9.52mm) Shank diameter (9.00" extended length)
UCP0974	9.74mm .3834" UNIPILOT Carbide Pilot .375" (9.52mm) Shank diameter
UCP0978	9.78mm .3850" UNIPILOT Carbide Pilot .375" (9.52mm) Shank diameter
UCP0979	9.79mm .3854" UNIPILOT Carbide Pilot .375" (9.52mm) Shank diameter
UCP0980	9.80mm .3858" UNIPILOT Carbide Pilot .375" (9.52mm) Shank diameter
UCP0982	9.82mm .3866" UNIPILOT Carbide Pilot .375" (9.52mm) Shank diameter
UCP0983	9.83mm .3870" UNIPILOT Carbide Pilot .375" (9.52mm) Shank diameter
UCP0984	9.84mm .3874" UNIPILOT Carbide Pilot .375" (9.52mm) Shank diameter
UCP0985	9.85mm .3878" UNIPILOT Carbide Pilot .375" (9.52mm) Shank diameter
UCP0986	9.86mm .3882" UNIPILOT Carbide Pilot .375" (9.52mm) Shank diameter
UCP0987	9.87mm .3886" UNIPILOT Carbide Pilot .375" (9.52mm) Shank diameter
UCP0988	9.88mm .3890" UNIPILOT Carbide Pilot .375" (9.52mm) Shank diameter

PART #	.375" (9.52mm) Shank Diameter Solid Carbide Pilots
UCP0989	9.89mm .3894" UNIPILOT Carbide Pilot .375" (9.52mm) Shank diameter
UCP0990	9.90mm .3898" UNIPILOT Carbide Pilot .375" (9.52mm) Shank diameter
UCP0990EL9	9.90mm .3898" UNIPILOT Carbide Pilot .375" (9.52mm) Shank diameter (9.00" extended length)
UCP0991	9.91mm .3902" UNIPILOT Carbide Pilot .375" (9.52mm) Shank diameter
UCP0992	9.92mm .3906" UNIPILOT Carbide Pilot .375" (9.52mm) Shank diameter
UCP0993	9.93mm .3909" UNIPILOT Carbide Pilot .375" (9.52mm) Shank diameter
UCP0994	9.94mm .3913" UNIPILOT Carbide Pilot .375" (9.52mm) Shank diameter
UCP0995	9.95mm .3917" UNIPILOT Carbide Pilot .375" (9.52mm) Shank diameter
UCP0995EL9	9.95mm .3917" UNIPILOT Carbide Pilot .375" (9.52mm) Shank diameter (9.00" extended length)
UCP0996	9.96mm .3906" UNIPILOT Carbide Pilot .375" (9.52mm) Shank diameter
UCP0996EL9	9.96mm .3906" UNIPILOT Carbide Pilot .375" (9.52mm) Shank diameter (9.00" extended length)
UCP0997	9.97mm .3925" UNIPILOT Carbide Pilot .375" (9.52mm) Shank diameter
UCP0998	9.98mm .3929" UNIPILOT Carbide Pilot .375" (9.52mm) Shank diameter
UCP0998EL9	9.98mm .3929" UNIPILOT Carbide Pilot .375" (9.52mm) Shank diameter (9.00" extended length)
UCP0999	9.99mm .3933" UNIPILOT Carbide Pilot .375" (9.52mm) Shank diameter
UCP0999EL9	9.99mm .3933" UNIPILOT Carbide Pilot .375" (9.52mm) Shank diameter (9.00" extended length)
UCP1000	10.00mm .3937" UNIPILOT Carbide Pilot .375" (9.52mm) Shank diameter
UCP1000EL9	10.00mm .3937" UNIPILOT Carbide Pilot .375" (9.52mm) Shank diameter (9.00" extended length)
UCP1001	10.01mm .3941" UNIPILOT Carbide Pilot .375" (9.52mm) Shank diameter
UCP1001EL9	10.01mm .3941" UNIPILOT Carbide Pilot .375" (9.52mm) Shank diameter (9.00" extended length)
UCP1002	10.02mm .3945" UNIPILOT Carbide Pilot .375" (9.52mm) Shank diameter
UCP1002EL9	10.02mm .3945" UNIPILOT Carbide Pilot .375" (9.52mm) Shank diameter (9.00" extended length)
UCP1004	10.04mm .3953" UNIPILOT Carbide Pilot .375" (9.52mm) Shank diameter
UCP1005	10.05mm .3957" UNIPILOT Carbide Pilot .375" (9.52mm) Shank diameter
UCP1006	10.06mm .3961" UNIPILOT Carbide Pilot .375" (9.52mm) Shank diameter
UCP1008	10.08mm .3969" UNIPILOT Carbide Pilot .375" (9.52mm) Shank diameter
UCP1015	10.15mm .3996" UNIPILOT Carbide Pilot .375" (9.52mm) Shank diameter
UCP1016	10.16mm .4000" UNIPILOT Carbide Pilot .375" (9.52mm) Shank diameter
UCP1020	10.20mm .4016" UNIPILOT Carbide Pilot .375" (9.52mm) Shank diameter
UCP1021	10.21mm .4020" UNIPILOT Carbide Pilot .375" (9.52mm) Shank diameter
UCP1024	10.24mm .4031" UNIPILOT Carbide Pilot .375" (9.52mm) Shank diameter
UCP1025	10.25mm .4035" UNIPILOT Carbide Pilot .375" (9.52mm) Shank diameter
UCP1025-10EL	10.25mm .4035" UNIPILOT Carbide Pilot .375" (9.52mm) Shank diameter (10.00" extended length AIRCRAFT APPLICATION ONLY)
UCP1026	10.26mm .4039" UNIPILOT Carbide Pilot .375" (9.52mm) Shank diameter
UCP1026EL9	10.26mm .4039" UNIPILOT Carbide Pilot .375" (9.52mm) Shank diameter (9.00" extended length)

PART #	.375" (9.52mm) Shank Diameter Solid Carbide Pilots
UCP1026-10EL	10.26mm .4039" UNIPILOT Carbide Pilot .375" (9.52mm) Shank diameter (10.00" extended length AIRCRAFT APPLICATION ONLY)
UCP1027	10.27mm .4043" UNIPILOT Carbide Pilot .375" (9.52mm) Shank diameter
UCP1027EL9	10.27mm .4043" UNIPILOT Carbide Pilot .375" (9.52mm) Shank diameter (9.00" extended length)
UCP1027-10EL	10.27mm .4043" UNIPILOT Carbide Pilot .375" (9.52mm) Shank diameter (10.00" extended length AIRCRAFT APPLICATION ONLY)
UCP1028	10.28mm .4047" UNIPILOT Carbide Pilot .375" (9.52mm) Shank diameter (CAT 3126E Cylinder Heads)
UCP1028EL9	10.28mm .4047" UNIPILOT Carbide Pilot .375" (9.52mm) Shank diameter (CAT 3126E Cylinder Heads) (9.00" extended length)
UCP1028-10EL	10.28mm .4047" UNIPILOT Carbide Pilot .375" (9.52mm) Shank diameter (10.00" extended length AIRCRAFT APPLICATION ONLY)
UCP1029	10.29mm .4051" UNIPILOT Carbide Pilot .375" (9.52mm) Shank diameter (CAT 3126E Cylinder Heads)
UCP1029EL9	10.29mm .4051" UNIPILOT Carbide Pilot .375" (9.52mm) Shank diameter (9.00" extended length)
UCP1029-10EL	10.29mm .4051" UNIPILOT Carbide Pilot .375" (9.52mm) Shank diameter (10.00" extended length AIRCRAFT APPLICATION ONLY)
UCP1030	10.30mm .4055" UNIPILOT Carbide Pilot .375" (9.52mm) Shank diameter (CAT 3126E Cylinder Heads)
UCP1030EL9	10.30mm .4055" UNIPILOT Carbide Pilot .375" (9.52mm) Shank diameter (9.00" extended length)
UCP1033	10.33mm .4067" UNIPILOT Carbide Pilot .375" (9.52mm) Shank diameter (CAT 3126E Cylinder Heads)
UCP1051	10.51mm .4138" UNIPILOT Carbide Pilot .375" (9.52mm) Shank diameter
UCP1054	10.54mm .4150" UNIPILOT Carbide Pilot .375" (9.52mm) Shank diameter
UCP1056EL9	10.56mm .4157" UNIPILOT Carbide Pilot .375" (9.52mm) Shank diameter (9.00" extended length)
UCP1057EL9	10.57mm .4161" UNIPILOT Carbide Pilot .375" (9.52mm) Shank diameter (9.00" extended length)
UCP1058EL9	10.58mm .4165" UNIPILOT Carbide Pilot .375" (9.52mm) Shank diameter (9.00" extended length)
UCP1059EL9	10.59mm .4169" UNIPILOT Carbide Pilot .375" (9.52mm) Shank diameter (9.00" extended length)
UCP1090	10.90mm .4291" UNIPILOT Carbide Pilot .375" (9.52mm) Shank diameter
UCP1092	10.92mm .4299" UNIPILOT Carbide Pilot .375" (9.52mm) Shank diameter
UCP1093	10.93mm .4303" UNIPILOT Carbide Pilot .375" (9.52mm) Shank diameter
UCP1094	10.94mm .4307" UNIPILOT Carbide Pilot .375" (9.52mm) Shank diameter
UCP1095	10.95mm .4311" UNIPILOT Carbide Pilot .375" (9.52mm) Shank diameter
UCP1096	10.96mm .4315" UNIPILOT Carbide Pilot .375" (9.52mm) Shank diameter
UCP1097	10.97mm .4319" UNIPILOT Carbide Pilot .375" (9.52mm) Shank diameter

PART #	.375" (9.52mm) Shank Diameter Solid Carbide Pilots
UCP1098	10.98mm .4323" UNIPILOT Carbide Pilot .375" (9.52mm) Shank diameter
UCP1098EL9	10.98mm .4323" UNIPILOT Carbide Pilot .375" (9.52mm) Shank diameter (9.00" extended length)
UCP1099	10.99mm .4327" UNIPILOT Carbide Pilot .375" (9.52mm) Shank diameter
UCP1099EL9	10.99mm .4327" UNIPILOT Carbide Pilot .375" (9.52mm) Shank diameter (9.00" extended length)
UCP1100	11.00mm .4331" UNIPILOT Carbide Pilot .375" (9.52mm) Shank diameter
UCP1100EL9	11.00mm .4331" UNIPILOT Carbide Pilot .375" (9.52mm) Shank diameter (9.00" extended length)
UCP1101	11.01mm .4335" UNIPILOT Carbide Pilot .375" (9.52mm) Shank diameter
UCP1101EL9	11.01mm .4335" UNIPILOT Carbide Pilot .375" (9.52mm) Shank diameter (9.00" extended length)
UCP1102	11.02mm .4339" UNIPILOT Carbide Pilot .375" (9.52mm) Shank diameter
UCP1102EL9	11.02mm .4339" UNIPILOT Carbide Pilot .375" (9.52mm) Shank diameter (9.00" extended length)
UCP1102EL12	11.02mm .4339" UNIPILOT Carbide Pilot .375" (9.52mm) Shank diameter (12.00" extended length)
UCP1103	11.03mm .4343" UNIPILOT Carbide Pilot .375" (9.52mm) Shank diameter
UCP1103EL9	11.03mm .4343" UNIPILOT Carbide Pilot .375" (9.52mm) Shank diameter (9.00" extended length)
UCP1104	11.04mm .4346" UNIPILOT Carbide Pilot .375" (9.52mm) Shank diameter
UCP1105	11.05mm .4350" UNIPILOT Carbide Pilot .375" (9.52mm) Shank diameter
UCP1106	11.06mm .4354" UNIPILOT Carbide Pilot .375" (9.52mm) Shank diameter
UCP1107	11.07mm .4358" UNIPILOT Carbide Pilot .375" (9.52mm) Shank diameter
UCP1108	11.08mm .4362" UNIPILOT Carbide Pilot .375" (9.52mm) Shank diameter
UCP1108-10EL	11.08mm .4362" UNIPILOT Carbide Pilot .375" (9.52mm) Shank diameter (10.00" extended length AIRCRAFT APPLICATION ONLY)
UCP1109	11.09mm .4366" UNIPILOT Carbide Pilot .375" (9.52mm) Shank diameter
UCP1110	11.10mm .4370" UNIPILOT Carbide Pilot .375" (9.52mm) Shank diameter
UCP1111	11.11mm .4374" UNIPILOT Carbide Pilot .375" (9.52mm) Shank diameter
UCP1111EL9	11.11mm .4374" UNIPILOT Carbide Pilot .375" (9.52mm) Shank diameter (9.00" extended length)
UCP1112-9EL	11.12mm .4378" UNIPILOT Carbide Pilot .375" (9.52mm) Shank diameter (9.00" extended length)
UCP1114	11.14mm .4385" UNIPILOT Carbide Pilot .375" (9.52mm) Shank diameter
UCP1115	11.15mm .4390" UNIPILOT Carbide Pilot .375" (9.52mm) Shank diameter
UCP1116	11.16mm .4393" UNIPILOT Carbide Pilot .375" (9.52mm) Shank diameter
UCP1119	11.19mm .4405" UNIPILOT Carbide Pilot .375" (9.52mm) Shank diameter
UCP1120	11.20mm .4409" UNIPILOT Carbide Pilot .375" (9.52mm) Shank diameter
UCP1120EL9	11.20mm .4409" UNIPILOT Carbide Pilot .375" (9.52mm) Shank diameter (9.00" extended length)
UCP1123	11.23mm .4421" UNIPILOT Carbide Pilot .375" (9.52mm) Shank diameter
UCP1130	11.30mm .4449" UNIPILOT Carbide Pilot .375" (9.52mm) Shank diameter
UCP1130EL9	11.30mm .4449" UNIPILOT Carbide Pilot .375" (9.52mm) Shank diameter (9.00" extended length)

PART #	.375" (9.52mm) Shank Diameter Solid Carbide Pilots
UCP1132	11.32mm .4457" UNIPILOT Carbide Pilot .375" (9.52mm) Shank diameter
UCP1140	11.40mm .4488" UNIPILOT Carbide Pilot .375" (9.52mm) Shank diameter
UCP1143	11.43mm .4500" UNIPILOT Carbide Pilot .375" (9.52mm) Shank diameter
UCP1144	11.44mm .4504" UNIPILOT Carbide Pilot .375" (9.52mm) Shank diameter
UCP1145	11.45mm .4508" UNIPILOT Carbide Pilot .375" (9.52mm) Shank diameter
UCP1146	11.46mm .4512" UNIPILOT Carbide Pilot .375" (9.52mm) Shank diameter
UCP1146EL9	11.46mm .4512" UNIPILOT Carbide Pilot .375" (9.52mm) Shank diameter (9.00" extended length)
UCP1147	11.47mm .4516" UNIPILOT Carbide Pilot .375" (9.52mm) Shank diameter (CUMMINS B/C Cylinder Heads)
UCP1147EL9	11.47mm .4516" UNIPILOT Carbide Pilot .375" (9.52mm) Shank diameter (9.00" extended length)
UCP1148	11.48mm .4520" UNIPILOT Carbide Pilot .375" (9.52mm) Shank diameter
UCP1148EL9	11.48mm .4520" UNIPILOT Carbide Pilot .375" (9.52mm) Shank diameter (9.00" extended length)
UCP1149	11.49mm .4524" UNIPILOT Carbide Pilot .375" (9.52mm) Shank diameter (CUMMINS B/C Cylinder Heads)
UCP1149EL9	11.49mm .4524" UNIPILOT Carbide Pilot .375" (9.52mm) Shank diameter (CUMMINS B/C Cylinder Heads) (9.00" extended length)
UCP1150	11.50mm .4528" UNIPILOT Carbide Pilot .375" (9.52mm) Shank diameter
UCP1153EL9	11.53mm .4539" UNIPILOT Carbide Pilot .375" (9.52mm) Shank diameter (CUMMINS B/C Cylinder Heads) (9.00" extended length)
UCP1151	11.51mm .4531" UNIPILOT Carbide Pilot .375" (9.52mm) Shank diameter
UCP1168	11.68mm .4598" UNIPILOT Carbide Pilot .375" (9.52mm) Shank diameter
UCP1178	11.78mm .4638" UNIPILOT Carbide Pilot .375" (9.52mm) Shank diameter
UCP1186	11.86mm .4645" UNIPILOT Carbide Pilot .375" (9.52mm) Shank diameter
UCP1187	11.87mm .4673" UNIPILOT Carbide Pilot .375" (9.52mm) Shank diameter
UCP1188	11.88mm .4677" UNIPILOT Carbide Pilot .375" (9.52mm) Shank diameter
UCP1189	11.89mm .4681" UNIPILOT Carbide Pilot .375" (9.52mm) Shank diameter
UCP1195	11.95mm .4705" UNIPILOT Carbide Pilot .375" (9.52mm) Shank diameter
UCP1196	11.96mm .4709" UNIPILOT Carbide Pilot .375" (9.52mm) Shank diameter
UCP1196EL9	11.96mm .4709" UNIPILOT Carbide Pilot .375" (9.52mm) Shank diameter (9.00" extended length)
UCP1197	11.97mm .4712" UNIPILOT Carbide Pilot .375" (9.52mm) Shank diameter
UCP1197EL9	11.97mm .4712" UNIPILOT Carbide Pilot .375" (9.52mm) Shank diameter (9.00" extended length)
UCP1198	11.98mm .4717" UNIPILOT Carbide Pilot .375" (9.52mm) Shank diameter
UCP1198EL9	11.98mm .4717" UNIPILOT Carbide Pilot .375" (9.52mm) Shank diameter (9.00" extended length)
UCP1199	11.99mm .4720" UNIPILOT Carbide Pilot .375" (9.52mm) Shank diameter
UCP1199EL9	11.99mm .4720" UNIPILOT Carbide Pilot .375" (9.52mm) Shank diameter (9.00" extended length)
UCP1200	12.00mm .4724" UNIPILOT Carbide Pilot .375" (9.52mm) Shank diameter
UCP1200EL9	12.00mm .4724" UNIPILOT Carbide Pilot .375" (9.52mm) Shank diameter (9.00" extended length)

PART #	.375" (9.52mm) Shank Diameter Solid Carbide Pilots
UCP1201	12.01mm .4728" UNIPILOT Carbide Pilot .375" (9.52mm) Shank diameter
UCP1201EL9	12.01mm .4728" UNIPILOT Carbide Pilot .375" (9.52mm) Shank diameter (9.00" extended length)
UCP1202	12.02mm .4732" UNIPILOT Carbide Pilot .375" (9.52mm) Shank diameter
UCP1202EL12	12.02mm .4732" UNIPILOT Carbide Pilot .375" (9.52mm) Shank diameter (12.00" extended length)
UCP1204	12.04mm .4740" UNIPILOT Carbide Pilot .375" (9.52mm) Shank diameter
UCP1206	12.06mm .4748" UNIPILOT Carbide Pilot .375" (9.52mm) Shank diameter
UCP1239	12.39mm .4878" UNIPILOT Carbide Pilot .375" (9.52mm) Shank diameter
UCP1242	12.42mm .4890" UNIPILOT Carbide Pilot .375" (9.52mm) Shank diameter
UCP1249EL12	12.49mm .4917" UNIPILOT Carbide Pilot .375" (9.52mm) Shank diameter (12.00" extended length)
UCP1250	12.50mm .4921" UNIPILOT Carbide Pilot .375" (9.52mm) Shank diameter
UCP1251	12.51mm .4925" UNIPILOT Carbide Pilot .375" (9.52mm) Shank diameter
UCP1252	12.52mm .4930" UNIPILOT Carbide Pilot .375" (9.52mm) Shank diameter
UCP1260	12.60mm .4961" UNIPILOT Carbide Pilot .375" (9.52mm) Shank diameter
UCP1260EL9	12.60mm .4961" UNIPILOT Carbide Pilot .375" (9.52mm) Shank diameter (9.00" extended length) CAT 350 Cylinder Head Exhaust
UCP1261	12.61mm .4965" UNIPILOT Carbide Pilot .375" (9.52mm) Shank diameter
UCP1261EL9	12.61mm .4965" UNIPILOT Carbide Pilot .375" (9.52mm) Shank diameter (9.00" extended length) CAT 350 Cylinder Head Exhaust
UCP1262	12.62mm .4968" UNIPILOT Carbide Pilot .375" (9.52mm) Shank diameter
UCP1262EL9	12.62mm .4968" UNIPILOT Carbide Pilot .375" (9.52mm) Shank diameter
UCP1262EL12	12.62mm .4968" UNIPILOT Carbide Pilot .375" (9.52mm) Shank diameter (12.00" extended length)
UCP1263	12.63mm .4972" UNIPILOT Carbide Pilot .375" (9.52mm) Shank diameter
UCP1264	12.64mm .4976" UNIPILOT Carbide Pilot .375" (9.52mm) Shank diameter
UCP1264EL9	12.64mm .4976" UNIPILOT Carbide Pilot .375" (9.52mm) Shank diameter (9.00" extended length) CAT 350 Cylinder Head Exhaust
UCP1265	12.65mm .4980" UNIPILOT Carbide Pilot .375" (9.52mm) Shank diameter
UCP1265-10EL	12.65mm .4980" UNIPILOT Carbide Pilot .375" (9.52mm) Shank diameter (10.00" extended length) AIRCRAFT APPLICATION ONLY)
UCP1186	11.86mm .4645" UNIPILOT Carbide Pilot .375" (9.52mm) Shank diameter
UCP1187	11.87mm .4673" UNIPILOT Carbide Pilot .375" (9.52mm) Shank diameter
UCP1188	11.88mm .4677" UNIPILOT Carbide Pilot .375" (9.52mm) Shank diameter
UCP1189	11.89mm .4681" UNIPILOT Carbide Pilot .375" (9.52mm) Shank diameter
UCP1195	11.95mm .4705" UNIPILOT Carbide Pilot .375" (9.52mm) Shank diameter
UCP1196	11.96mm .4709" UNIPILOT Carbide Pilot .375" (9.52mm) Shank diameter
UCP1196EL9	11.96mm .4709" UNIPILOT Carbide Pilot .375" (9.52mm) Shank diameter (9.00" extended length)
UCP1197	11.97mm .4712" UNIPILOT Carbide Pilot .375" (9.52mm) Shank diameter

PART #	.375" (9.52mm) Shank Diameter Solid Carbide Pilots
UCP1197EL9	11.97mm .4712" UNIPILOT Carbide Pilot .375" (9.52mm) Shank diameter (9.00" extended length)
UCP1198	11.98mm .4717" UNIPILOT Carbide Pilot .375" (9.52mm) Shank diameter
UCP1198EL9	11.98mm .4717" UNIPILOT Carbide Pilot .375" (9.52mm) Shank diameter (9.00" extended length)
UCP1199	11.99mm .4720" UNIPILOT Carbide Pilot .375" (9.52mm) Shank diameter
UCP1199EL9	11.99mm .4720" UNIPILOT Carbide Pilot .375" (9.52mm) Shank diameter (9.00" extended length)
UCP1200	12.00mm .4724" UNIPILOT Carbide Pilot .375" (9.52mm) Shank diameter
UCP1200EL9	12.00mm .4724" UNIPILOT Carbide Pilot .375" (9.52mm) Shank diameter (9.00" extended length)
UCP1201	12.01mm .4728" UNIPILOT Carbide Pilot .375" (9.52mm) Shank diameter
UCP1201EL9	12.01mm .4728" UNIPILOT Carbide Pilot .375" (9.52mm) Shank diameter (9.00" extended length)
UCP1202	12.02mm .4732" UNIPILOT Carbide Pilot .375" (9.52mm) Shank diameter
UCP1202EL12	12.02mm .4732" UNIPILOT Carbide Pilot .375" (9.52mm) Shank diameter (12.00" extended length)
UCP1204	12.04mm .4740" UNIPILOT Carbide Pilot .375" (9.52mm) Shank diameter
UCP1206	12.06mm .4748" UNIPILOT Carbide Pilot .375" (9.52mm) Shank diameter
UCP1239	12.39mm .4878" UNIPILOT Carbide Pilot .375" (9.52mm) Shank diameter
UCP1242	12.42mm .4890" UNIPILOT Carbide Pilot .375" (9.52mm) Shank diameter
UCP1249EL12	12.49mm .4917" UNIPILOT Carbide Pilot .375" (9.52mm) Shank diameter (12.00" extended length)
UCP1250	12.50mm .4921" UNIPILOT Carbide Pilot .375" (9.52mm) Shank diameter
UCP1251	12.51mm .4925" UNIPILOT Carbide Pilot .375" (9.52mm) Shank diameter
UCP1252	12.52mm .4930" UNIPILOT Carbide Pilot .375" (9.52mm) Shank diameter
UCP1260	12.60mm .4961" UNIPILOT Carbide Pilot .375" (9.52mm) Shank diameter
UCP1260EL9	12.60mm .4961" UNIPILOT Carbide Pilot .375" (9.52mm) Shank diameter (9.00" extended length) CAT 350 Cylinder Head Exhaust
UCP1261	12.61mm .4965" UNIPILOT Carbide Pilot .375" (9.52mm) Shank diameter
UCP1261EL9	12.61mm .4965" UNIPILOT Carbide Pilot .375" (9.52mm) Shank diameter (9.00" extended length) CAT 350 Cylinder Head Exhaust
UCP1262	12.62mm .4968" UNIPILOT Carbide Pilot .375" (9.52mm) Shank diameter
UCP1262EL9	12.62mm .4968" UNIPILOT Carbide Pilot .375" (9.52mm) Shank diameter
UCP1262EL12	12.62mm .4968" UNIPILOT Carbide Pilot .375" (9.52mm) Shank diameter (12.00" extended length)
UCP1263	12.63mm .4972" UNIPILOT Carbide Pilot .375" (9.52mm) Shank diameter
UCP1264	12.64mm .4976" UNIPILOT Carbide Pilot .375" (9.52mm) Shank diameter
UCP1264EL9	12.64mm .4976" UNIPILOT Carbide Pilot .375" (9.52mm) Shank diameter (9.00" extended length) CAT 350 Cylinder Head Exhaust
UCP1265	12.65mm .4980" UNIPILOT Carbide Pilot .375" (9.52mm) Shank diameter
UCP1265-10EL	12.65mm .4980" UNIPILOT Carbide Pilot .375" (9.52mm) Shank diameter (10.00" extended length) AIRCRAFT APPLICATION ONLY)

.375" (9.52mm) Shank Diameter Solid Carbide Pilots	
UCP1266	12.66mm .4984" UNIPILOT Carbide Pilot .375" (9.52mm) Shank diameter
UCP1266EL9	12.66mm .4984" UNIPILOT Carbide Pilot .375" (9.52mm) Shank diameter (9.00" extended length)
UCP1267	12.68mm .4988" UNIPILOT Carbide Pilot .375" (9.52mm) Shank diameter
UCP1268	12.68mm .4992" UNIPILOT Carbide Pilot .375" (9.52mm) Shank diameter
UCP1268EL9	12.68mm .4992" UNIPILOT Carbide Pilot .375" (9.52mm) Shank diameter (9.00" extended length)
UCP1268EL12	12.68mm .4992" UNIPILOT Carbide Pilot .375" (9.52mm) Shank diameter (12.00" extended length) CAT D342 - D353 Cylinder Head
UCP1269	12.69mm .4996" UNIPILOT Carbide Pilot .375" (9.52mm) Shank diameter
UCP1269EL9	12.69mm .4996" UNIPILOT Carbide Pilot .375" (9.52mm) Shank diameter (9.00" extended length) CAT D342 - D353 Cylinder Head
UCP1270	12.70mm .5000" UNIPILOT Carbide Pilot .375" (9.52mm) Shank diameter
UCP1270EL12	12.70mm .5000" UNIPILOT Carbide Pilot .375" (9.52mm) Shank diameter (12.00" extended length) CAT D8 - D9 - 353 - 342 Cylinder Head
UCP1271	12.71mm .5004" UNIPILOT Carbide Pilot .375" (9.52mm) Shank diameter
UCP1273	12.73mm .5012" UNIPILOT Carbide Pilot .375" (9.52mm) Shank diameter
UCP1274	12.74mm .5015" UNIPILOT Carbide Pilot .375" (9.52mm) Shank diameter
UCP1298EL9	12.98mm .5110" UNIPILOT Carbide Pilot .375" (9.52mm) Shank diameter (9.00" extended length)
UCP1299	12.99mm .5114" UNIPILOT Carbide Pilot .375" (9.52mm) Shank diameter
UCP1299EL9	12.99mm .5114" UNIPILOT Carbide Pilot .375" (9.52mm) Shank diameter (9.00" extended length)
UCP1300	13.00mm .5118" UNIPILOT Carbide Pilot .375" (9.52mm) Shank diameter
UCP1300EL9	13.00mm .5118" UNIPILOT Carbide Pilot .375" (9.52mm) Shank diameter (9.00" extended length)
UCP1301EL9	13.01mm .5122" UNIPILOT Carbide Pilot .375" (9.52mm) Shank diameter (9.00" extended length)
UCP1397	13.97mm .5500" UNIPILOT Carbide Pilot .375" (9.52mm) Shank diameter
UCP1398	13.98mm .5504" UNIPILOT Carbide Pilot .375" (9.52mm) Shank diameter
UCP1398EL12	13.98mm .5504" UNIPILOT Carbide Pilot .375" (9.52mm) Shank diameter (12.00" extended length)
UCP1400EL12	14.00 mm .5516" UNIPILOT Carbide Pilot .375" (9.52mm) Shank diameter (12.00" extended length)
UCP1401EL9	14.01 mm .5520" UNIPILOT Carbide Pilot .375" (9.52mm) Shank diameter (9.00" extended length)
UCP1401EL12	14.01 mm .5520" UNIPILOT Carbide Pilot .375" (9.52mm) Shank diameter (12.00" extended length)
UCP1422	14.22mm .5598" UNIPILOT Carbide Pilot .375" (9.52mm) Shank diameter
UCP1422EL12	14.22mm .5598" UNIPILOT Carbide Pilot .375" (9.52mm) Shank diameter (12.00" extended length)
UCP1423EL12	14.23mm .5602" UNIPILOT Carbide Pilot .375" (9.52mm) Shank diameter (12.00" extended length)
UCP1424EL12	14.24mm .5606" UNIPILOT Carbide Pilot .375" (9.52mm) Shank diameter (12.00" extended length)

PART #	.375" (9.52mm) Shank Diameter Solid Carbide Pilots
UCP1425	14.25mm .5610" UNIPILOT Carbide Pilot .375" (9.52mm) Shank diameter
UCP1425EL12	14.22mm .5600" UNIPILOT Carbide Pilot .375" (9.52mm) Shank diameter (12.00" extended length)
UCP1426	14.26mm .5614" UNIPILOT Carbide Pilot .375" (9.52mm) Shank diameter
UCP1426EL12	14.26mm .5614" UNIPILOT Carbide Pilot .375" (9.52mm) Shank diameter (12.00" extended length)
UCP1427EL9	14.27mm .5620" UNIPILOT Carbide Pilot .375" (9.52mm) Shank diameter (9.00" extended length)
UCP1429EL9	14.29mm .5625" UNIPILOT Carbide Pilot .375" (9.52mm) Shank diameter (9.00" extended length)
UCP1430EL9	14.30mm .563" UNIPILOT Carbide Pilot .375" (9.52mm) Shank diameter (9.00" extended length)
UCP1431	14.31mm .5634" UNIPILOT Carbide Pilot .375" (9.52mm) Shank diameter
UCP1435	14.35mm .5650" UNIPILOT Carbide Pilot .375" (9.52mm) Shank diameter
UCP1587	15.87mm .6248" UNIPILOT Carbide Pilot .375" (9.52mm) Shank diameter
UCP1588EL12	15.88mm .6252" UNIPILOT Carbide Pilot .375" (9.52mm) Shank diameter (9.00" extended length)
UCP1595EL12	15.95mm .6280" UNIPILOT Carbide Pilot .375" (9.52mm) Shank diameter (9.00" extended length)
UCP1800EL9	18.00mm .7086" UNIPILOT Carbide Pilot .375" (9.52mm) Shank diameter (9.00" extended length)
UCP1903	19.03mm .7492" UNIPILOT Carbide Pilot .375" (9.52mm) Shank diameter

PART #	Pilots for Large Cylinder Heads 20.00mm (.7874") Shank Diameter
UCP434EL1220	11.04mm .4346" UNIPILOT Carbide Pilot .7874" (20.00mm) Shank Diameter (12.00" Length) Waukesha Cylinder heads VGF series
UCP435EL1220	11.05mm .4350" UNIPILOT Carbide Pilot .7874" (20.00mm) Shank Diameter (12.00" Length) Waukesha Cylinder heads VGF series
UCP499EL1220	12.69mm .4996" UNIPILOT Carbide Pilot .7874" (20.00mm) Shank Diameter (12.00" Length) Waukesha Cylinder heads 1197 series
UCP500EL1220	12.70mm .5000" UNIPILOT Carbide Pilot .7874" (20.00mm) Shank Diameter (12.00" Length) Waukesha Cylinder heads 1197 series
UCP559EL1220	14.198mm .559" UNIPILOT Carbide Pilot (20.00mm) Shank diameter (12.00" Length) VHP7042 - GL7042 -3711 Waukesha Cylinder heads
UCP560EL1220	14.22mm .560" UNIPILOT Carbide Pilot (20.00mm) Shank diameter (12.00" Length) VHP7042 - GL7042 -3711 Waukesha Cylinder heads
UCP562EL1220	14.27mm .562" UNIPILOT Carbide Pilot (20.00mm) Shank diameter (12.00" Length) VHP7042 - GL7042 -3711 Waukesha Cylinder heads
UCP623EL1220	15.82mm .625" UNIPILOT Carbide Pilot (20.00mm) Shank diameter (12.00" Length) Waukesha Cylinder heads 1905 Series
UCP625EL1220	15.87mm .625" UNIPILOT Carbide Pilot (20.00mm) Shank diameter (12.00" Length) VHP7042 - GL7042 -3711 Waukesha Cylinder heads

PART #	Pilots for Large Cylinder Heads 20.00mm (.7874") Shank Diameter
UCP668EL1320	16.98mm .6685" UNIPILOT Carbide Pilot .7874" (20.00mm) Shank diameter (13.00" Length) For white Superior Cylinder Head
UCP669EL1320	17.00mm .6693" UNIPILOT Carbide Pilot .7874" (20.00mm) Shank diameter (13.00" Length) For white Superior Cylinder Head
UCP790EL1320	20.07mm .7900" UNIPILOT Carbide Pilot .7874" (20.00mm) Shank diameter (13.00" Length) For white Superior Cylinder Head
UCP872EL1320	22.15mm .872" UNIPILOT Carbide Pilot .7874" (20.00mm) Shank diameter (13.00" Length) For white Superior Cylinder Head
UCP873EL1320	22.17mm .873" UNIPILOT Carbide Pilot .7874" (20.00mm) Shank diameter (13.00" Length) For white Superior Cylinder Head
UCP874EL1320	22.20mm .874" UNIPILOT Carbide Pilot .7874" (20.00mm) Shank diameter (13.00" Length) For white Superior Cylinder Head
UCP1424EL1220	14.24mm .5608" UNIPILOT Carbide Pilot (20.00mm) Shank diameter (12.00" Length) Waukesha Cylinder heads 1905 Series

Steel Pilots for Large Cylinder Heads 20.00mm (.7874") Shank Diameter	
NOTE:	These are steel pilots.
UCP630EL1520	16.00mm .630" UNIPILOT Carbide Pilot (20.00mm) Shank diameter (15.00" Length) For Caterpillar 3600 Cylinder Head
UCP631EL1520	16.03mm .631" UNIPILOT Carbide Pilot .7874" (20.00mm) Shank diameter (15.00" Length) For Caterpillar 3600 Cylinder Head
UCP632EL1520	16.05mm .632" UNIPILOT Carbide Pilot .7874" (20.00mm) Shank diameter (15.00" Length) For Caterpillar 3600 Cylinder Head
UCP790EL1520	20.07mm .790" UNIPILOT Carbide Pilot .7874" (20.00mm) Shank diameter (15.00" Length) For Caterpillar 3600 Cylinder Head

Modular Pilot Upper (Tapered) Sleeve	
FCMSU748	MODULAR PILOT UPPER (TAPERED) SLEEVE - HARDENED AND HEAT TREATED - FOR .748" GUIDE ID
FCMSU749	MODULAR PILOT UPPER (TAPERED) SLEEVE - HARDENED AND HEAT TREATED - FOR .749" GUIDE ID
FCMSU750	MODULAR PILOT UPPER (TAPERED) SLEEVE - HARDENED AND HEAT TREATED - FOR .750" GUIDE ID
FCMSU875	MODULAR PILOT UPPER (TAPERED) SLEEVE - HARDENED AND HEAT TREATED - FOR .875" GUIDE ID
FCMSU997	MODULAR PILOT UPPER (TAPERED) SLEEVE - HARDENED AND HEAT TREATED - FOR .997" GUIDE ID
FCMSU998	MODULAR PILOT UPPER (TAPERED) SLEEVE - HARDENED AND HEAT TREATED - FOR .998" GUIDE ID
FCMSU999	MODULAR PILOT UPPER (TAPERED) SLEEVE - HARDENED AND HEAT TREATED - FOR .999" GUIDE ID
FCMSU1030	MODULAR PILOT UPPER (TAPERED) SLEEVE - HARDENED AND HEAT TREATED - FOR 1.030" GUIDE ID

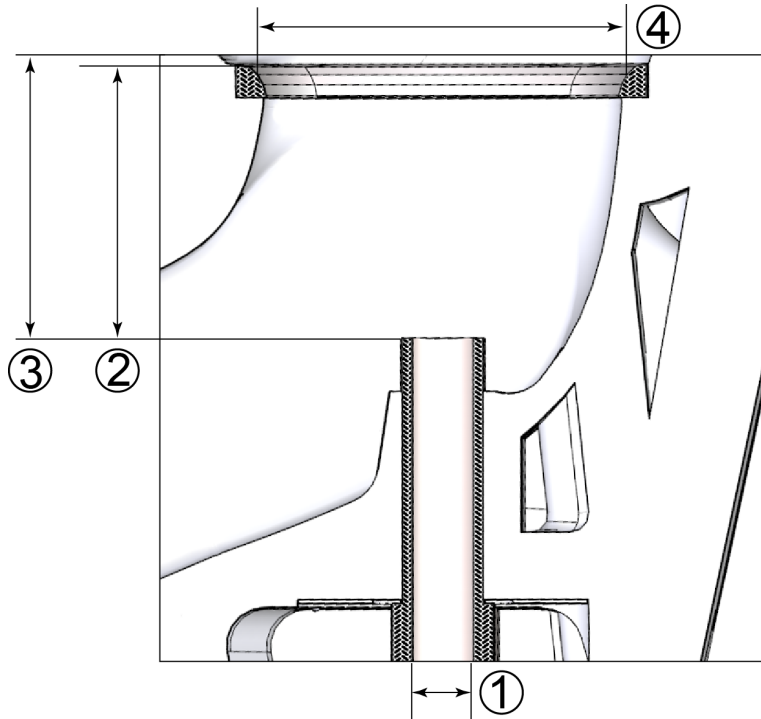
PART #	Modular Pilot Upper (Tapered) Sleeve
FCMSU1123	MODULAR PILOT UPPER (TAPERED) SLEEVE - HARDENED AND HEAT TREATED - FOR 1.123" GUIDE ID
FCMSU1124	MODULAR PILOT UPPER (TAPERED) SLEEVE - HARDENED AND HEAT TREATED - FOR 1.124" GUIDE ID
FCMSU1125	MODULAR PILOT UPPER (TAPERED) SLEEVE - HARDENED AND HEAT TREATED - FOR 1.125" GUIDE ID
FCMSU1126	MODULAR PILOT UPPER (TAPERED) SLEEVE - HARDENED AND HEAT TREATED - FOR 1.126" GUIDE ID
FCMSU1243	MODULAR PILOT UPPER (TAPERED) SLEEVE - HARDENED AND HEAT TREATED - FOR 1.243" GUIDE ID
FCMSU1244	MODULAR PILOT UPPER (TAPERED) SLEEVE - HARDENED AND HEAT TREATED - FOR 1.244" GUIDE ID
FCMSU1245	MODULAR PILOT UPPER (TAPERED) SLEEVE - HARDENED AND HEAT TREATED - FOR 1.245" GUIDE ID
Modular Pilot Lower (Straight) Sleeve	
FCMSL748	MODULAR PILOT LOWER (STRAIGHT) SLEEVE - HARDENED AND HEAT TREATED - FOR .748" GUIDE ID
FCMSL749	MODULAR PILOT LOWER (STRAIGHT) SLEEVE - HARDENED AND HEAT TREATED - FOR .749" GUIDE ID
FCMSL750	MODULAR PILOT LOWER (STRAIGHT) SLEEVE - HARDENED AND HEAT TREATED - FOR .750" GUIDE ID
FCMSL875	MODULAR PILOT LOWER (STRAIGHT) SLEEVE - HARDENED AND HEAT TREATED - FOR .875" GUIDE ID
FCMSL997	MODULAR PILOT LOWER (STRAIGHT) SLEEVE - HARDENED AND HEAT TREATED - FOR .997" GUIDE ID
FCMSL998	MODULAR PILOT LOWER (STRAIGHT) SLEEVE - HARDENED AND HEAT TREATED - FOR .998" GUIDE ID
FCMSL999	MODULAR PILOT LOWER (STRAIGHT) SLEEVE - HARDENED AND HEAT TREATED - FOR .999" GUIDE ID
FCMSL1030	MODULAR PILOT LOWER (STRAIGHT) SLEEVE - HARDENED AND HEAT TREATED - FOR 1.030" GUIDE ID
FCMSL1123	MODULAR PILOT LOWER (STRAIGHT) SLEEVE - HARDENED AND HEAT TREATED - FOR 1.123" GUIDE ID
FCMSL1124	MODULAR PILOT LOWER (STRAIGHT) SLEEVE - HARDENED AND HEAT TREATED - FOR 1.124" GUIDE ID
FCMSL1125	MODULAR PILOT LOWER (STRAIGHT) SLEEVE - HARDENED AND HEAT TREATED - FOR 1.125" GUIDE ID
FCMSL1243	MODULAR PILOT LOWER (STRAIGHT) SLEEVE - HARDENED AND HEAT TREATED - FOR 1.243" GUIDE ID
FCMSL1244	MODULAR PILOT LOWER (STRAIGHT) SLEEVE - HARDENED AND HEAT TREATED - FOR 1.244" GUIDE ID
FCMSL1245	MODULAR PILOT LOWER (STRAIGHT) SLEEVE - HARDENED AND HEAT TREATED - FOR 1.245" GUIDE ID

Special Pilot Order Form

Company Name: _____ **Account #** _____

Contact Name: _____ **Phone #** _____

Simply fill in the information below and contact Rottler for further ordering assistance.



Valve Guide ID [1]	Distance from Top of Guide to Top of Valve Seat [2]	Distance from Top of Guide to Top of Gasket Surface [3]	Valve Seat Diameter [4]	Engine Make and Model

OPTIONS

- Standard length 9" Extended length 12" Extended length
- .375" shank 6mm shank 20mm shank carbide pilot
- Modular sleeve pilot Sleeves only Carbide pilot and sleeves
- High speed pilot (minimum order of 3 is required for this option)